

1 2 3 4 5 6

A

A

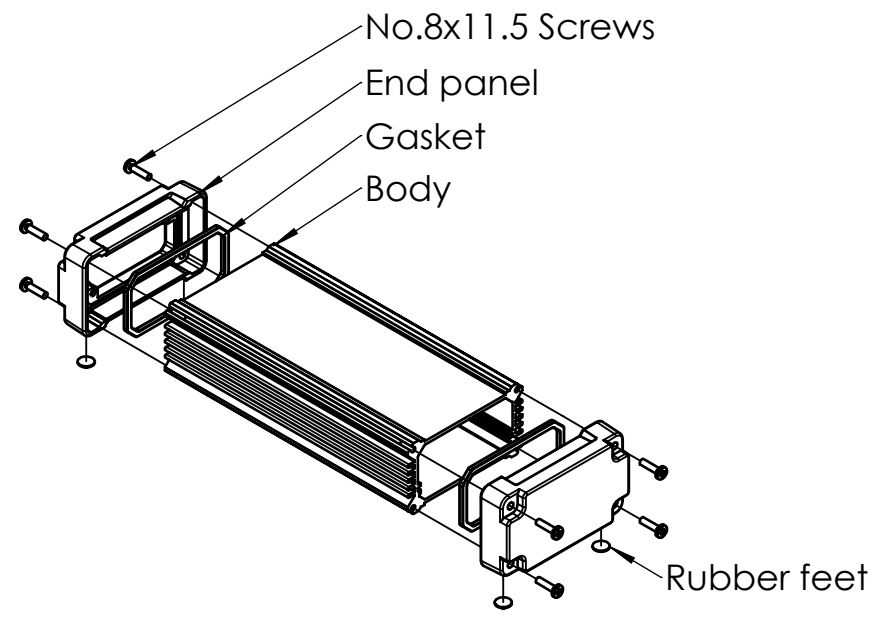
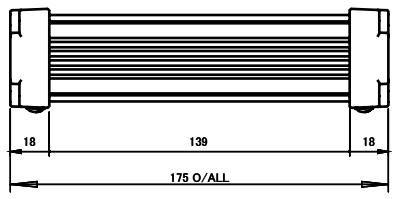
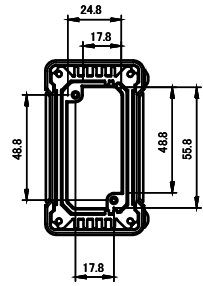
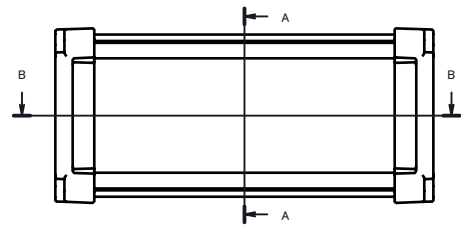
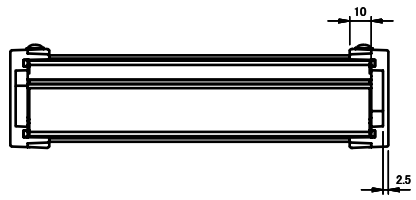
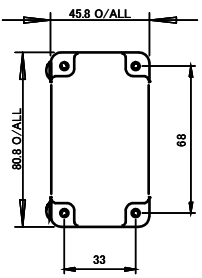
B

B

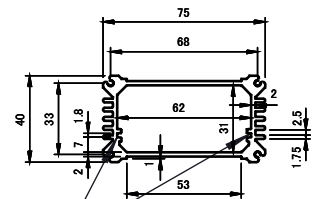
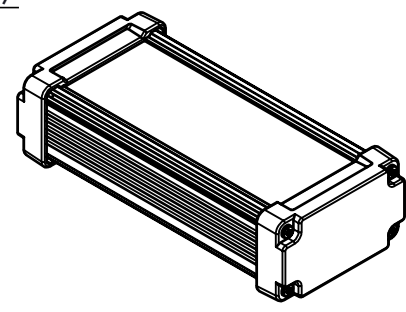
C

C

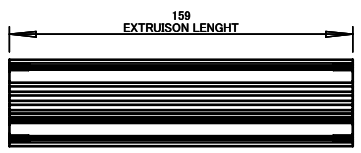
D





ISO VIEW  
2:7



PCB SLOT



 <b>CAMDENBOSS</b> JAMES CARTER RD, MILDENHALL, SUFFOLK. IP28 7DE TEL: 01638 716101 FAX: 01638 716554 EMAIL: Sales@CamdenBoss.com WEB: www.CamdenBoss.com				UNLESS OTHERWISE SPECIFIED: DIMENSIONS ARE IN MILLIMETERS	DO NOT SCALE DRAWING	REVISION. <input type="radio"/>
				GENERAL TOLERANCES +/- 0.2	TITLE: <b>88 SERIES IP67 HEAT SINK CASES, SIZE 9, SILVER, 175x80.8x45.8</b>	
	NAME	SIGNED	DATE	MATERIAL. ALUMINIUM	DWG NO.	<b>CDM8809SL</b>
DRAWN	LEWIS LETCHFORD	LL	31/01/2014			
CHK'D	IAN PAGANO	I.P	27/02/14	PROJECTION. 	SCALE: 2:7	SHEET 1 OF 1

1 2 3 4 5 6

A4