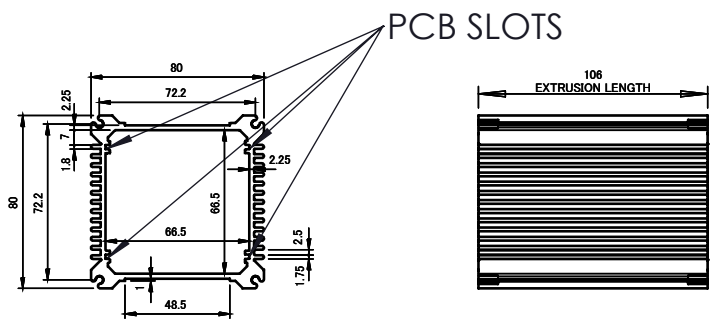
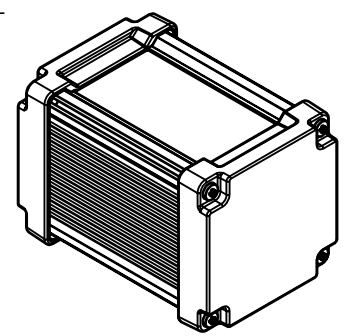




ISO VIEW
2:7



 CAMDENBOSS JAMES CARTER RD, MILDENHALL, SUFFOLK. IP28 7DE TEL: 01638 716101 FAX: 01638 716554 EMAIL: Sales@CamdenBoss.com WEB: www.CamdenBoss.com		UNLESS OTHERWISE SPECIFIED: DIMENSIONS ARE IN MILLIMETERS	DO NOT SCALE DRAWING	REVISION. ○
		GENERAL TOLERANCES +/- 0.2	TITLE: 88 SERIES IP67 HEAT SINK CASES, SIZE 11, SILVER, 125x86.3x86.3	
		FINISH. ANODIZED	DWG NO.	CDM8811SL
DRAWN	LEWIS LETCHFORD	SIGNED	LL	DATE
CHKD	-	-	-	31/01/2014
		MATERIAL. ALUMINIUM	SCALE. 2:7	SHEET 1 OF 1
		PROJECTION. 		A4