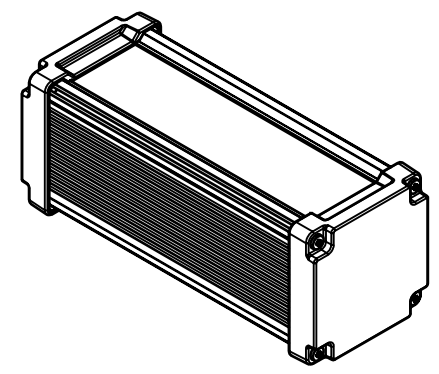



ISO VIEW
1:4



 CAMDENBOSS JAMES CARTER RD, MILDENHALL, SUFFOLK. IP28 7DE TEL: 01638 716101 FAX: 01638 716554 EMAIL: Sales@CamdenBoss.com WEB: www.CamdenBoss.com		UNLESS OTHERWISE SPECIFIED: DIMENSIONS ARE IN MILLIMETERS	DO NOT SCALE DRAWING	REVISION. <input type="checkbox"/>
		GENERAL TOLERANCES +/- 0.2	TITLE: 88 SERIES IP67 HEAT SINK CASES, SIZE 13, BLACK, 220x86.3x86.3	
		FINISH. BLACK ANODIZED POWDER COATED END CAPS	MATERIAL. ALUMINIUM	DWG NO. CDM8813BK
DRAWN	LEWIS LETCHFORD	L.L.	31/01/2014	SCALE: 1:4
CHK'D	IAN PAGANO	I.P.	27/02/14	SHEET 1 OF 1

A4