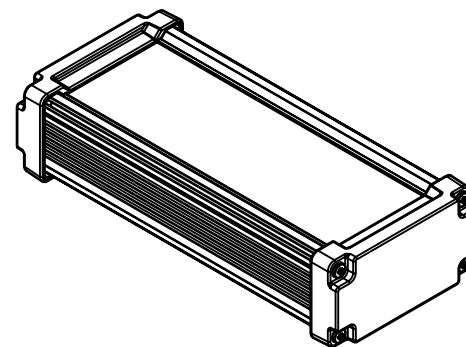



ISO VIEW
1:4



 CAMDENBOSS JAMES CARTER RD, MILDENHALL, SUFFOLK. IP28 7DE TEL: 01638 716101 FAX: 01638 716554 EMAIL: Sales@CamdenBoss.com WEB: www.CamdenBoss.com				UNLESS OTHERWISE SPECIFIED: DIMENSIONS ARE IN MILLIMETERS		DO NOT SCALE DRAWING		REVISION. <input type="checkbox"/>	
				GENERAL TOLERANCES +/- 0.2		TITLE: 88 SERIES IP67 HEAT SINK CASES, SIZE 18, BLACK, 240x106.3x56.3			
				FINISH. BLACK ANODIZED POWDER COATED END CAPS		MATERIAL. ALUMINIUM		DWG NO. CDM8818BK	
DRAWN		NAME		SIGNED		DATE		SCALE: 1:4	
CHK'D		IAN PAGANO		I.P.		27/02/14		SHEET 1 OF 1	

A4