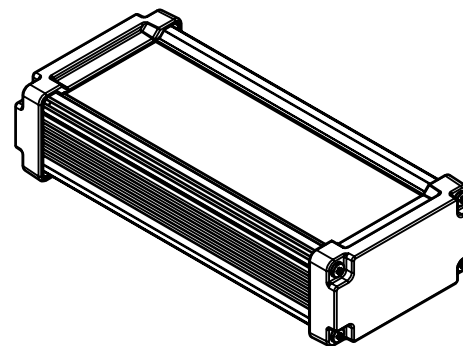



ISO VIEW
1:4



 CAMDENBOSS JAMES CARTER RD, MILDENHALL, SUFFOLK. IP28 7DE TEL: 01638 716101 FAX: 01638 716554 EMAIL: Sales@CamdenBoss.com WEB: www.CamdenBoss.com				UNLESS OTHERWISE SPECIFIED: DIMENSIONS ARE IN MILLIMETERS		DO NOT SCALE DRAWING		REVISION. <input type="checkbox"/>		
				GENERAL TOLERANCES +/- 0.2		TITLE: 88 SERIES IP67 HEAT SINK CASES, SIZE 18, SILVER, 240x106.3x56.3				
FINISH. SILVER ANODIZED POWDER COATED END PANELS		MATERIAL. ALUMINIUM		DWG NO.		CDM8818SL		A4		
DRAWN	LEWIS LETCHFORD	L.L.	31/01/2014	CH'KD	IAN PAGANO	I.P.	27/02/14	PROJECTION.	SCALE: 1:4	SHEET 1 OF 1