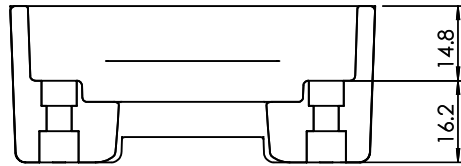
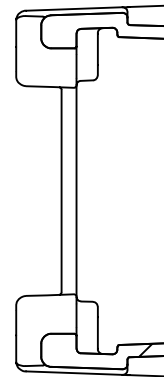
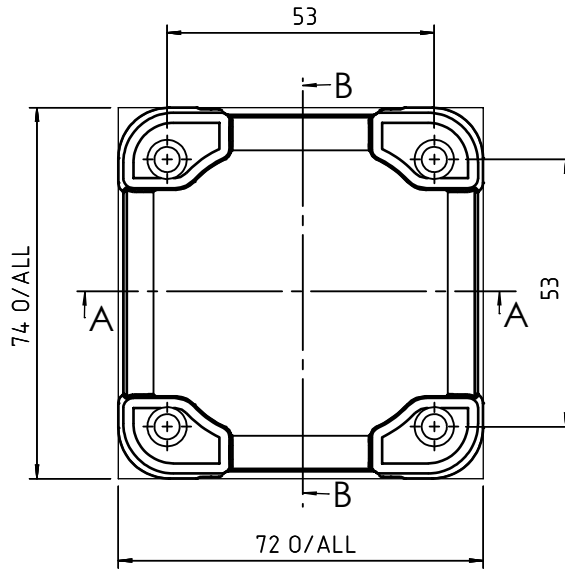
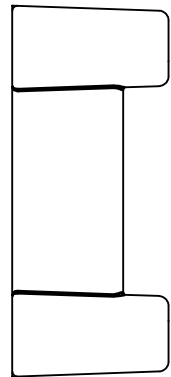
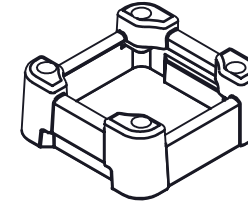


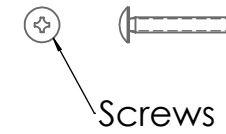
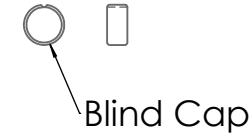
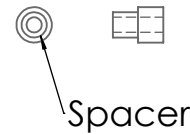
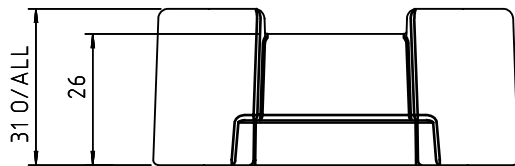
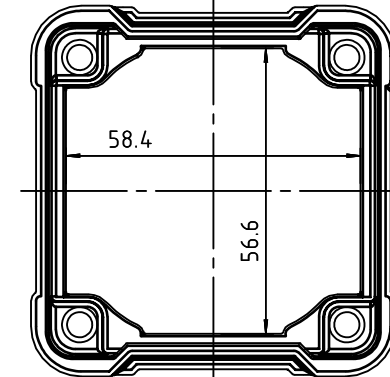
Section A-A





ISO VIEW



Section B-B



 CAMDENBOSS JAMES CARTER RD, MILDENHALL, SUFFOLK. IP28 7DE TEL: 01638 716101 FAX: 01638 716554 EMAIL: Sales@CamdenBoss.com WEB: www.CamdenBoss.com		UNLESS OTHERWISE SPECIFIED: DIMENSIONS ARE IN MILLIMETERS	DO NOT SCALE DRAWING	REVISION. <input type="checkbox"/>				
		GENERAL TOLERANCES +/- 0.2	TITLE: 88 SERIES SILICONE BOOTS, SIZE 1, BLACK 31x72.4x73.6					
		FINISH. SMOOTH	DWG NO. CDM88B1BK					
DRAWN	LEWIS LETCHFORD	SIGNED	L.L.	DATE	06/03/2014	MATERIAL. SILICONE	SCALE. 2:3	SHEET 1 OF 1
CHK'D	-	-	-	PROJECTION.				A4