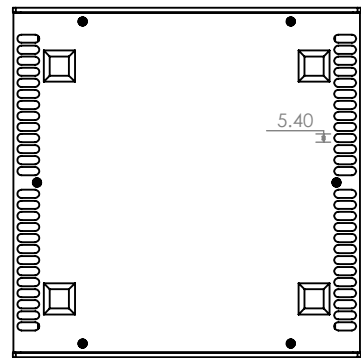
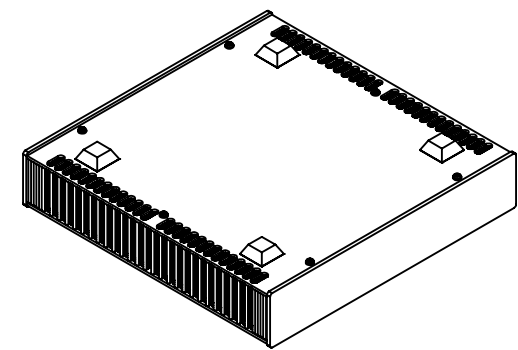



SECTION B-B



 <b>CAMDENBOSS</b> JAMES CARTER RD, MILDENHALL, SUFFOLK. IP28 7DE TEL: 01638 716101 FAX: 01638 716554 EMAIL: Sales@CamdenBoss.com WEB: www.CamdenBoss.com				UNLESS OTHERWISE SPECIFIED: DIMENSIONS ARE IN MILLIMETERS	DO NOT SCALE DRAWING	REVISION. 0
				GENERAL TOLERANCES +/- 0.2	TITLE: Heat Sink Alu Enc Silver 231 x 230 x 44	
	NAME	SIGNED	DATE	MATERIAL. ALUMINUM	DWG NO. CDM9501SL	A4
DRAWN	I.ALSAHEB	IMS	17/03/18	PROJECTION.	SCALE: 1:5	SHEET 1 OF 1
CHK'D	-	-	-			