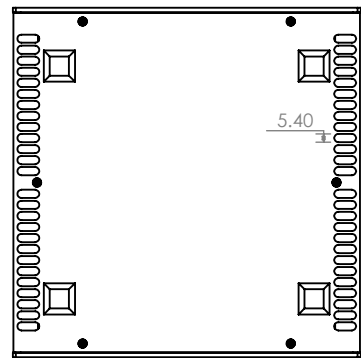
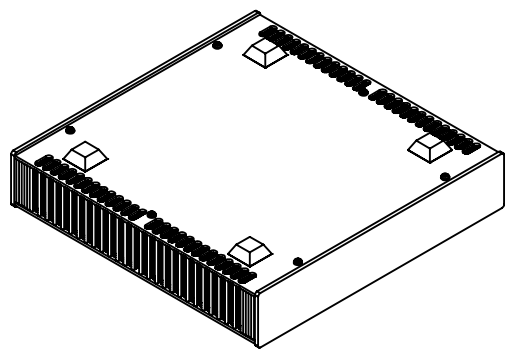




SECTION B-B



 <b>CAMDENBOSS</b> JAMES CARTER RD, MILDENHALL, SUFFOLK. IP28 7DE TEL: 01638 716101 FAX: 01638 716554 EMAIL: Sales@CamdenBoss.com WEB: www.CamdenBoss.com		UNLESS OTHERWISE SPECIFIED: DIMENSIONS ARE IN MILLIMETERS	DO NOT SCALE DRAWING	REVISION. 0
		GENERAL TOLERANCES +/- 0.2	TITLE: Heat Sink Alu Enc Silver 231 x 230 x 44	
		FINISH: <b>SILVER ANODIZED</b>	DWG NO.	A4
DRAWN	NAME I.ALSAHEB	SIGNED IMS	DATE 17/03/18	MATERIAL: <b>ALUMINUM</b>
CHK'D	-	-	-	PROJECTION. 
			SCALE: 1:5	SHEET 1 OF 1