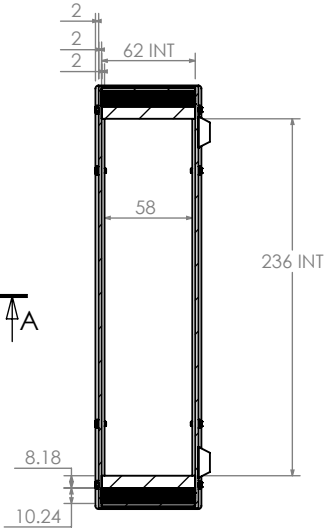
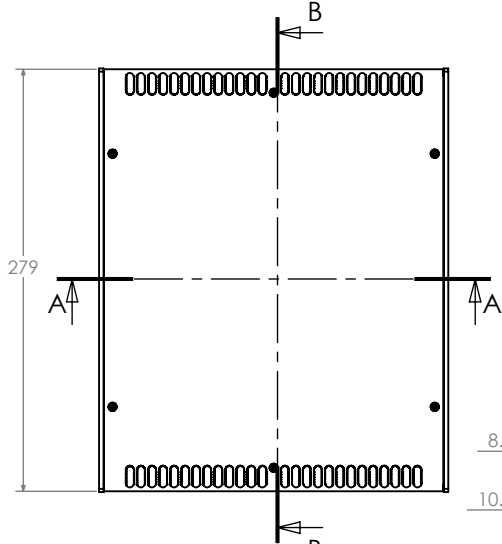
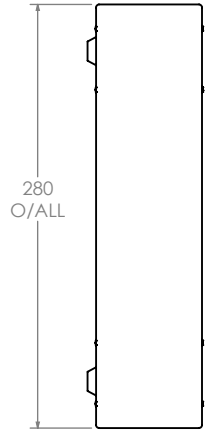
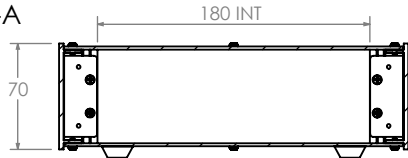
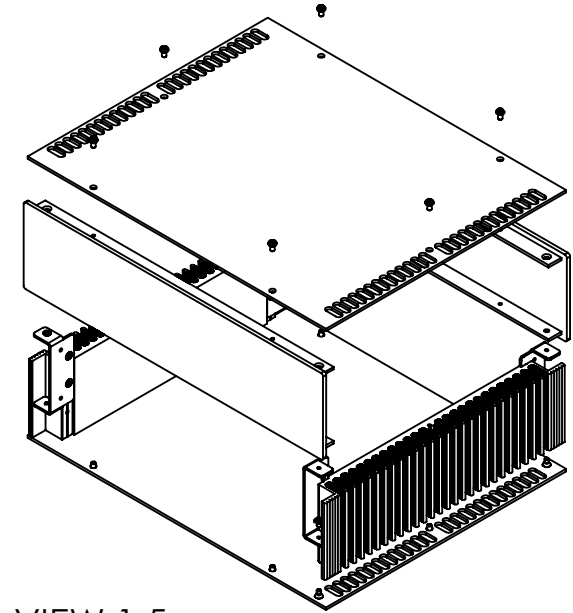
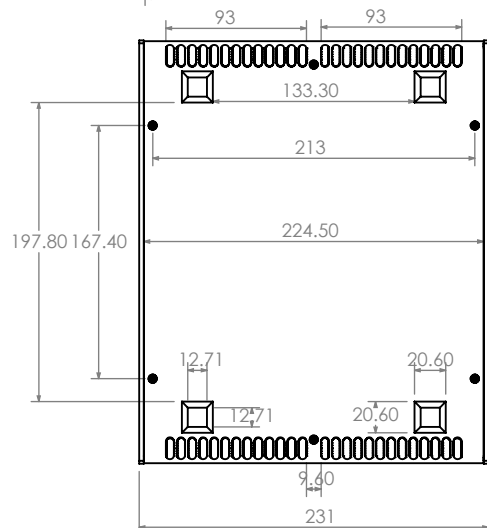
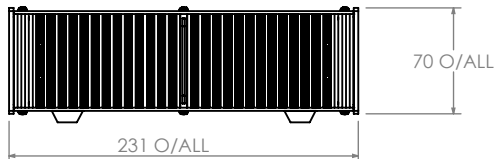


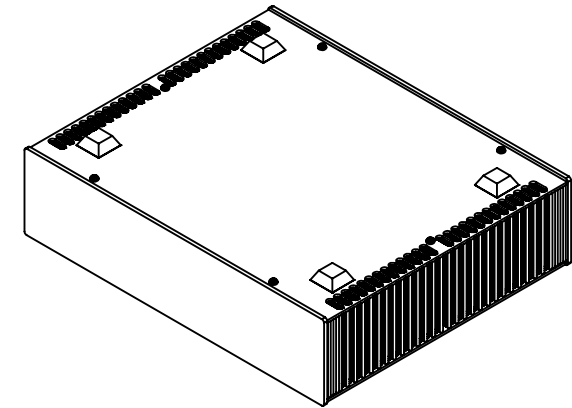
SECTION A-A




SECTION B-B



ISO VIEW 1:5



 CAMDENBOSS JAMES CARTER RD, MILDENHALL, SUFFOLK. IP28 7DE TEL: 01638 716101 FAX: 01638 716554 EMAIL: Sales@CamdenBoss.com WEB: www.CamdenBoss.com				UNLESS OTHERWISE SPECIFIED: DIMENSIONS ARE IN MILLIMETERS	DO NOT SCALE DRAWING	REVISION. O
				GENERAL TOLERANCES +/- 0.2	TITLE: Heat Sink Alu Enc Silver 231 x 280 x 70	
FINISH: SILVER ANODIZED				MATERIAL: ALUMINIUM	DWG NO. CDM9511SL	A4
DRAWN	NAME I.ALSAHEB	SIGNED IMS	DATE 17/03/18	PROJECTION.	SCALE: 1:5	SHEET 1 OF 1
CHK'D	-	-	-			