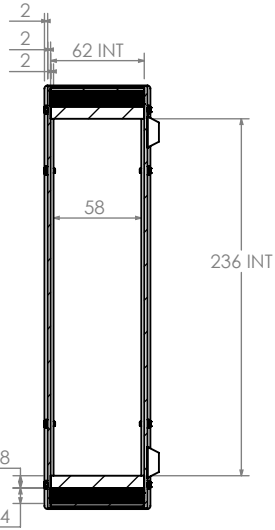
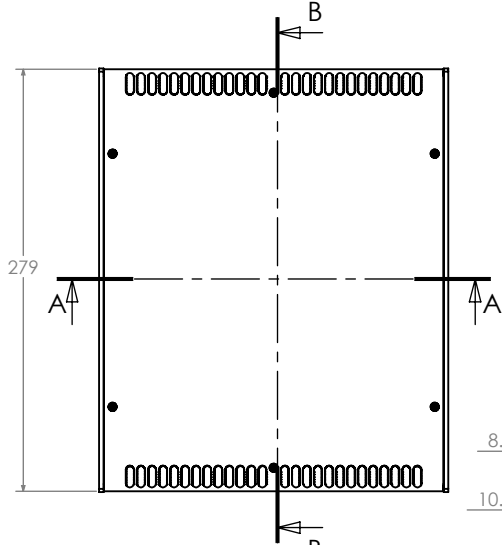
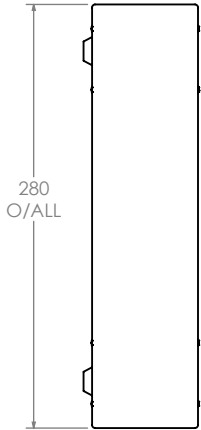
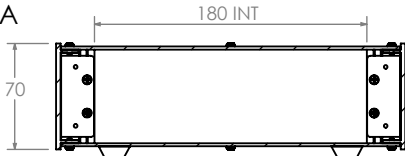
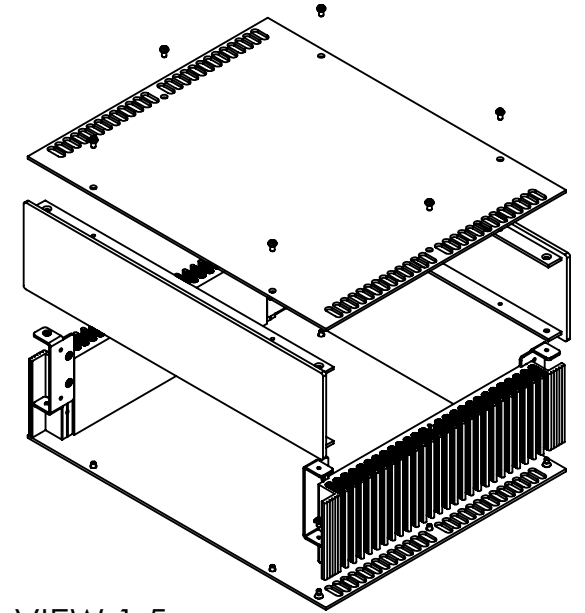
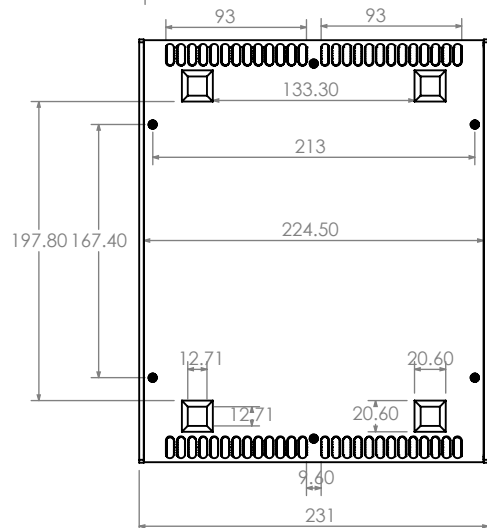
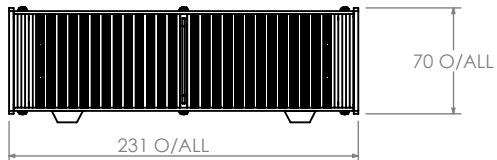


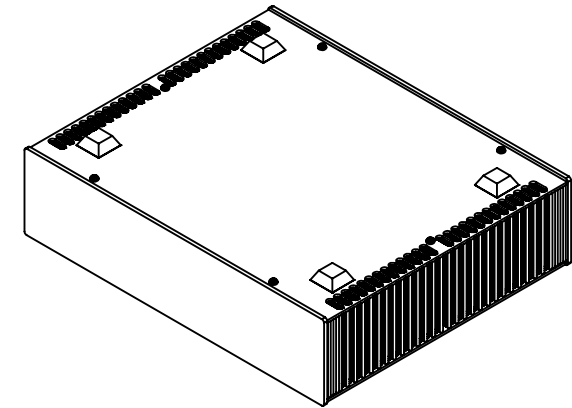
SECTION A-A





SECTION B-B



ISO VIEW 1:5



 CAMDENBOSS JAMES CARTER RD, MILDENHALL, SUFFOLK. IP28 7DE TEL: 01638 716101 FAX: 01638 716554 EMAIL: Sales@CamdenBoss.com WEB: www.CamdenBoss.com				UNLESS OTHERWISE SPECIFIED: DIMENSIONS ARE IN MILLIMETERS		DO NOT SCALE DRAWING		REVISION. 0	
				GENERAL TOLERANCES +/- 0.2		TITLE: Heat Sink Alu Enc Silver 231 x 280 x 70			
				FINISH: SILVER ANODIZED		DWG NO.		A4	
				MATERIAL: ALUMINIUM		CDM9511SL			
DRAWN		I.ALSAHEB		SIGNED		IMS		DATE	
CHK'D		-		-		-		17/03/18	
				PROJECTION.				SCALE: 1:5	
								SHEET 1 OF 1	