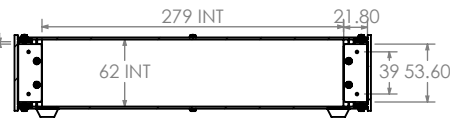
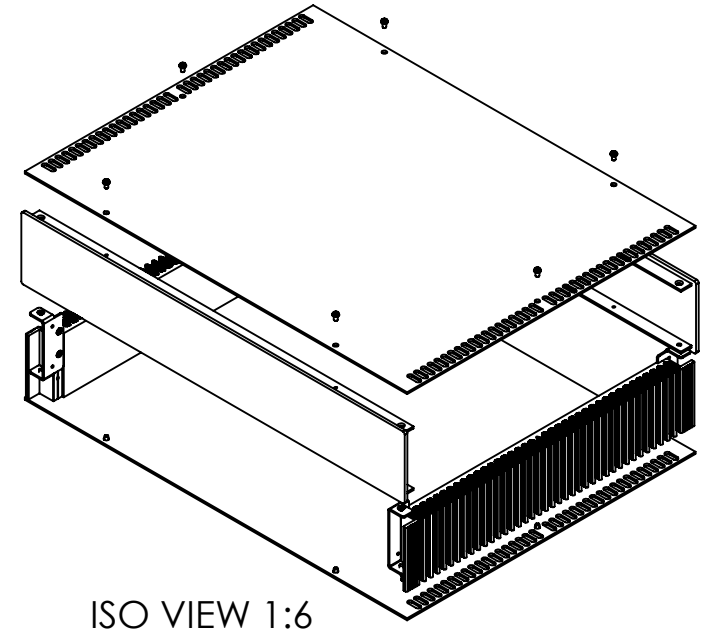
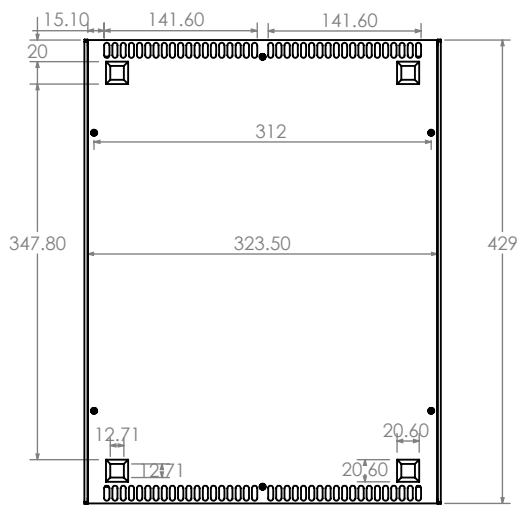
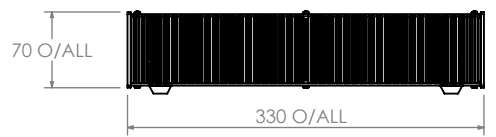
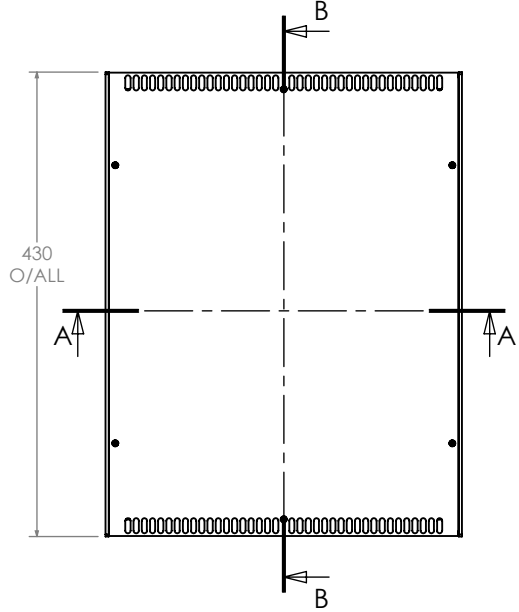
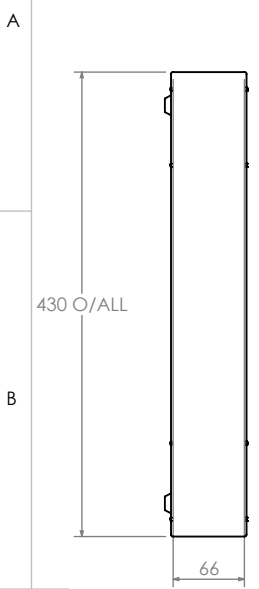


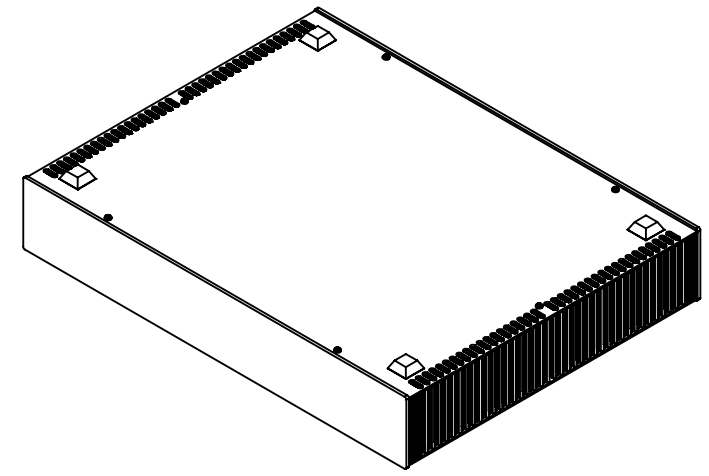
SECTION A-A





SECTION B-B



ISO VIEW 1:6



 CAMDENBOSS JAMES CARTER RD, MILDENHALL, SUFFOLK. IP28 7DE TEL: 01638 716101 FAX: 01638 716554 EMAIL: Sales@CamdenBoss.com WEB: www.CamdenBoss.com		UNLESS OTHERWISE SPECIFIED: DIMENSIONS ARE IN MILLIMETERS		DO NOT SCALE DRAWING		REVISION. 0	
		GENERAL TOLERANCES +/- 0.2		TITLE: Heat Sink Alu Enc Silver 330 x 430 x 70			
DRAWN I.ALSAHEB		SIGNED IMS		DATE 17/03/18		MATERIAL. ALUMINIUM	
CHKD -		-		-		FINISH. SILVER ANODIZED	
				PROJECTION. 		DWG NO. CDM9516SL	
				SCALE: 1:7		SHEET 1 OF 1	

A4