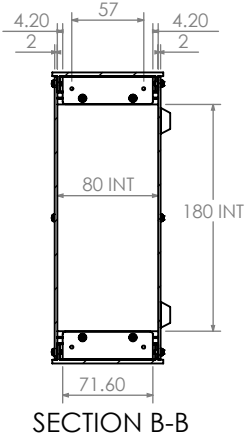
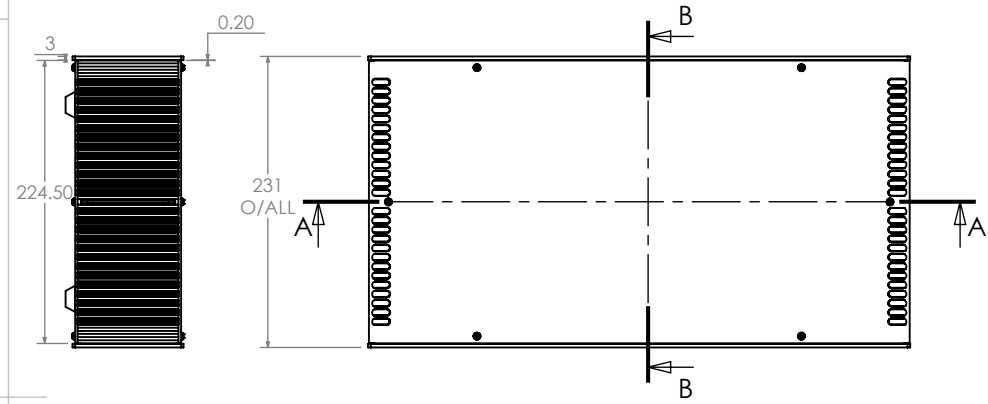
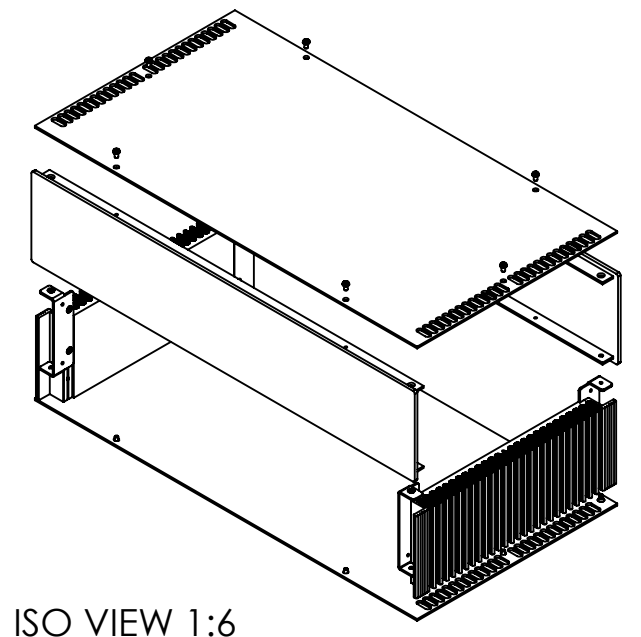


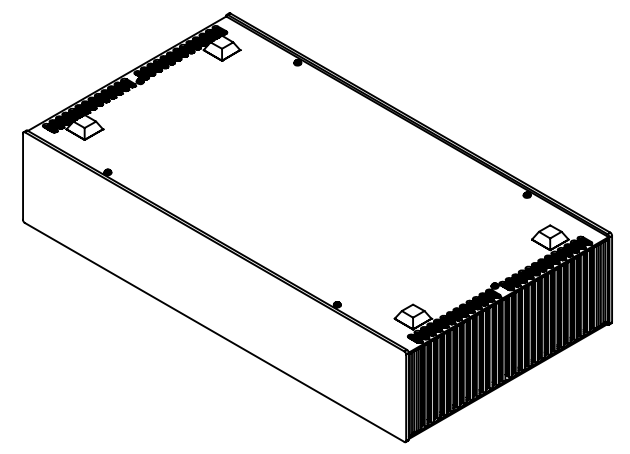
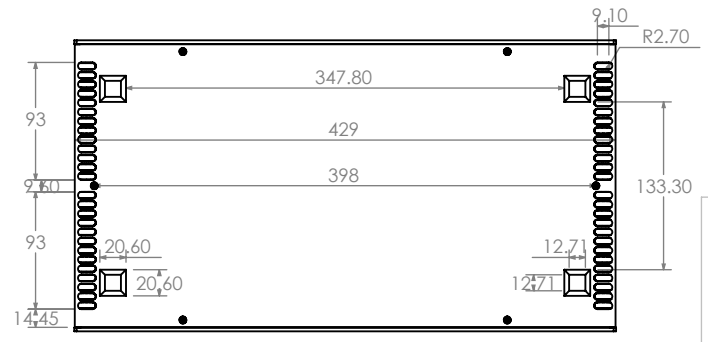
SECTION A-A




SECTION B-B



ISO VIEW 1:6



 CAMDENBOSS JAMES CARTER RD, MILDENHALL, SUFFOLK. IP28 7DE TEL: 01638 716101 FAX: 01638 716554 EMAIL: Sales@CamdenBoss.com WEB: www.CamdenBoss.com				UNLESS OTHERWISE SPECIFIED: DIMENSIONS ARE IN MILLIMETERS		DO NOT SCALE DRAWING		REVISION. O	
				GENERAL TOLERANCES +/- 0.2		TITLE: Heat Sink Alu Enc Silver 231 x 430 x 88			
				FINISH. SILVER ANODIZED		DWG NO. CDM9523SL			
				MATERIAL. ALUMINIUM		SCALE: 1:6		SHEET 1 OF 1	
DRAWN	NAME I.ALSAHEB	SIGNED IMS	DATE 17/03/18	PROJECTION.				A4	
CHK'D	-	-	-	