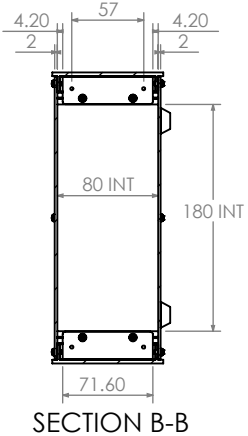
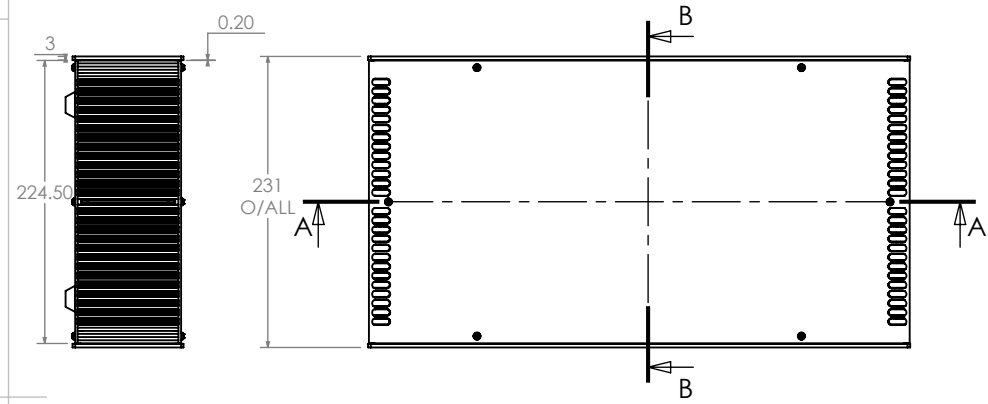
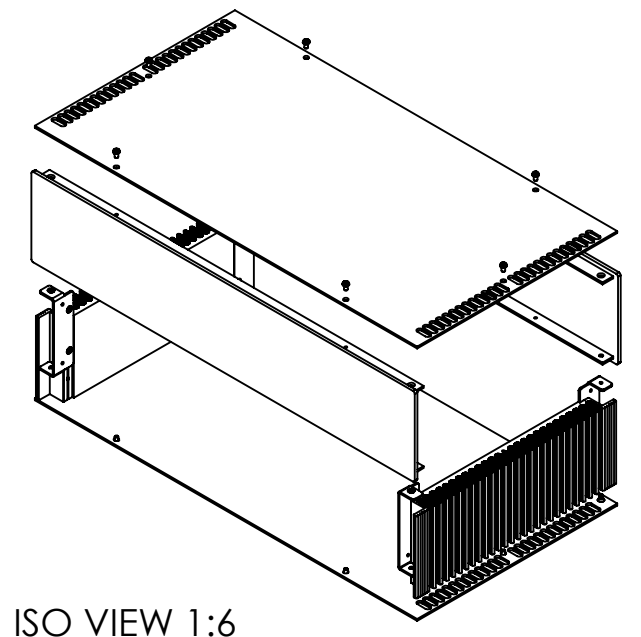


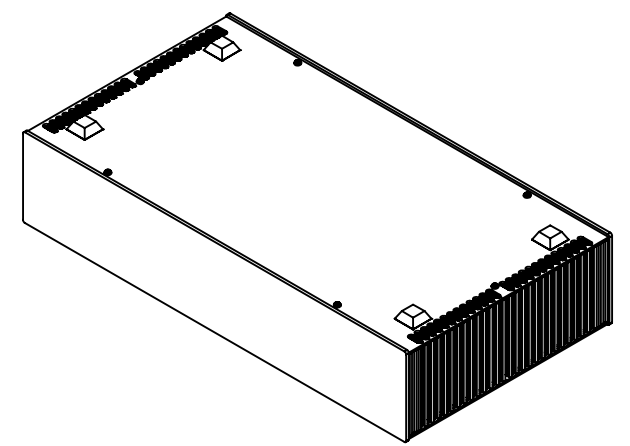
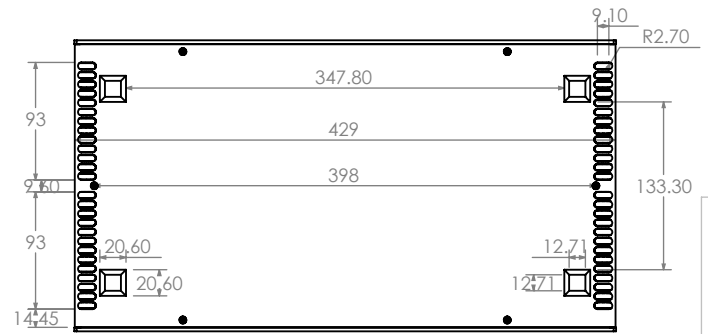
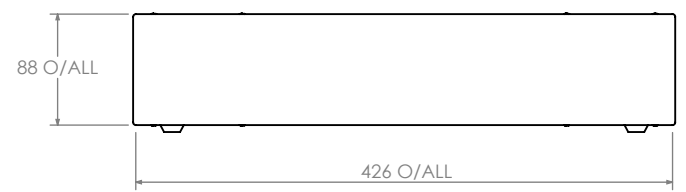
SECTION A-A




SECTION B-B



ISO VIEW 1:6



 <b>CAMDENBOSS</b> JAMES CARTER RD, MILDENHALL, SUFFOLK. IP28 7DE TEL: 01638 716101 FAX: 01638 716554 EMAIL: Sales@CamdenBoss.com WEB: www.CamdenBoss.com				UNLESS OTHERWISE SPECIFIED: DIMENSIONS ARE IN MILLIMETERS		DO NOT SCALE DRAWING		REVISION. O	
				GENERAL TOLERANCES +/- 0.2		TITLE: <b>Heat Sink Alu Enc Silver 231 x 430 x 88</b>			
				FINISH. <b>SILVER ANODIZED</b>		MATERIAL. <b>ALUMINIUM</b>		DWG NO. <b>CDM9523SL</b>	
DRAWN I.ALSAHEB		SIGNED IMS		DATE 17/03/18		SCALE: 1:6		SHEET 1 OF 1	
CHK'D -		-		-		PROJECTION.		A4	