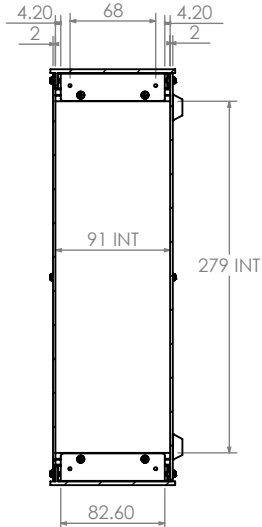
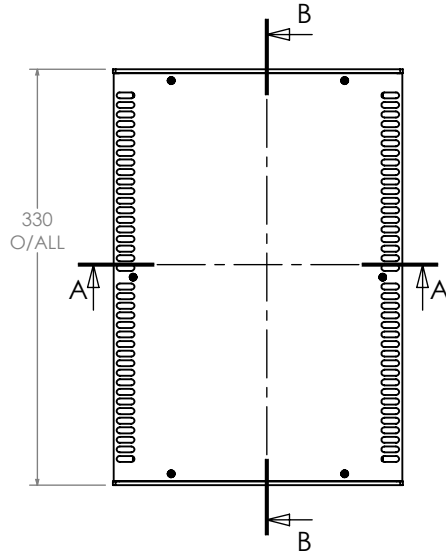
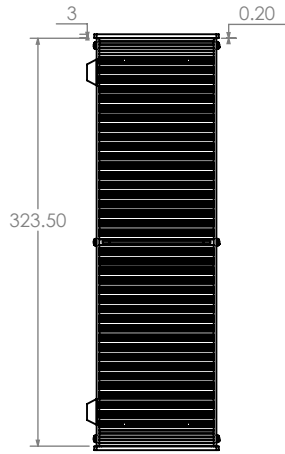
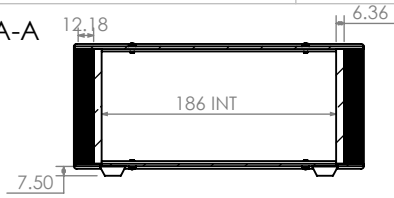
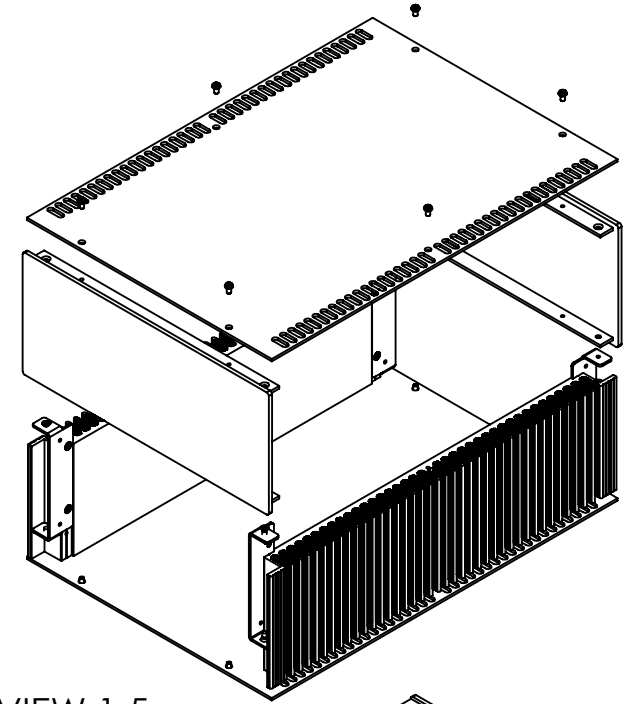
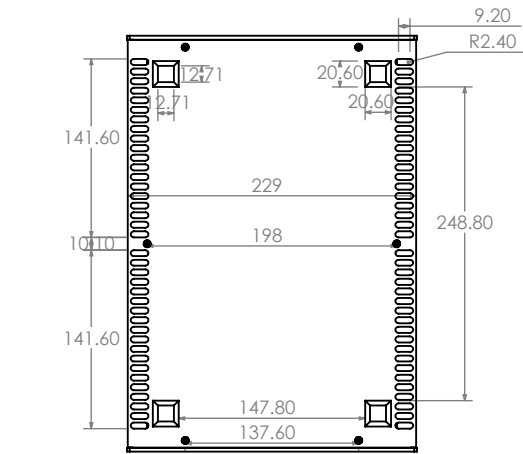


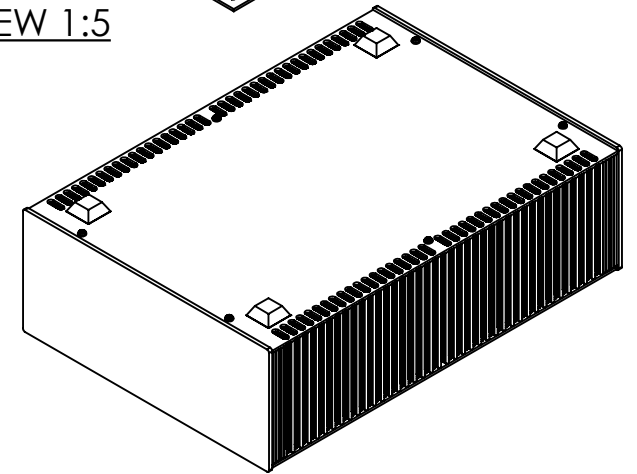
SECTION A-A




SECTION B-B



ISO VIEW 1:5



 <b>CAMDENBOSS</b> JAMES CARTER RD, MILDENHALL, SUFFOLK. IP28 7DE TEL: 01638 716101 FAX: 01638 716554 EMAIL: Sales@CamdenBoss.com WEB: www.CamdenBoss.com				UNLESS OTHERWISE SPECIFIED: DIMENSIONS ARE IN MILLIMETERS		DO NOT SCALE DRAWING		REVISION. 0	
				GENERAL TOLERANCES +/- 0.2		TITLE: Heat Sink Alu Enc Silver 330 x 230 x 99			
				FINISH: SILVER ANODIZED		DWG NO. CDM9526SL			
				MATERIAL: ALUMINIUM		SCALE: 1:6		SHEET 1 OF 1	
DRAWN	NAME I.ALSAHEB	SIGNED IMS	DATE 17/03/18	PROJECTION.				A4	
CHKD	-	-	-	