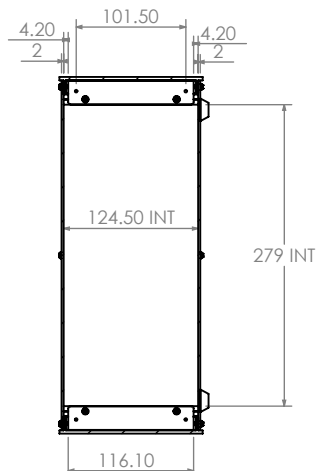
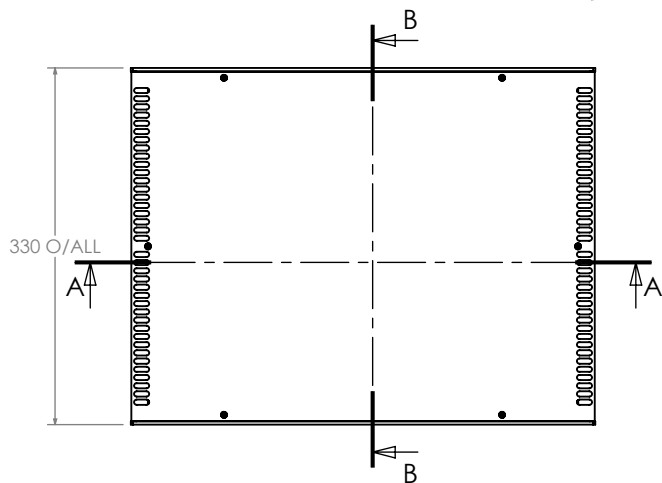
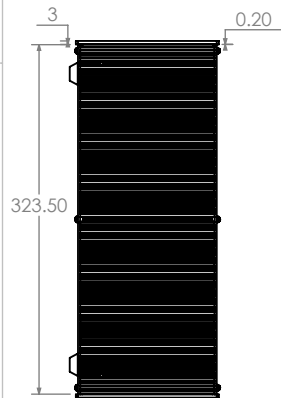
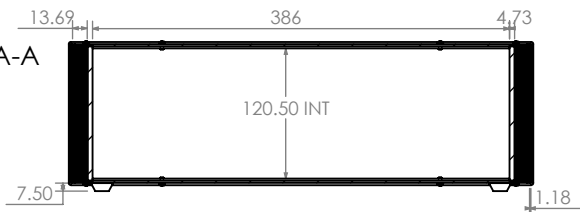
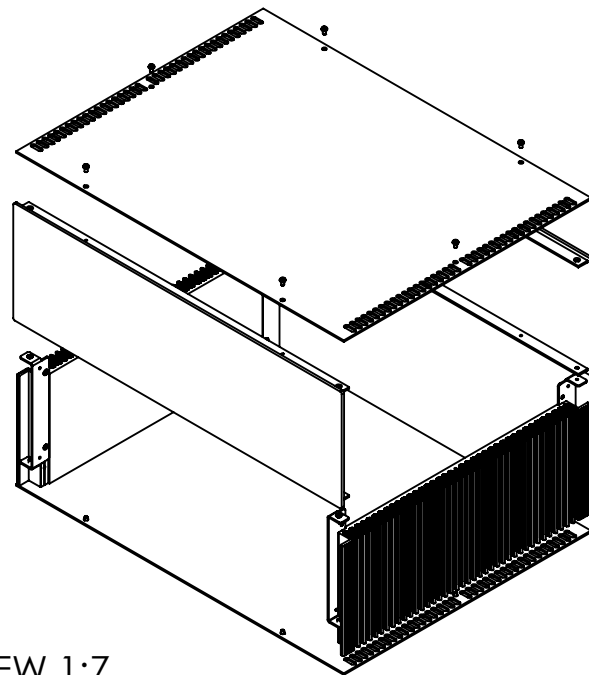
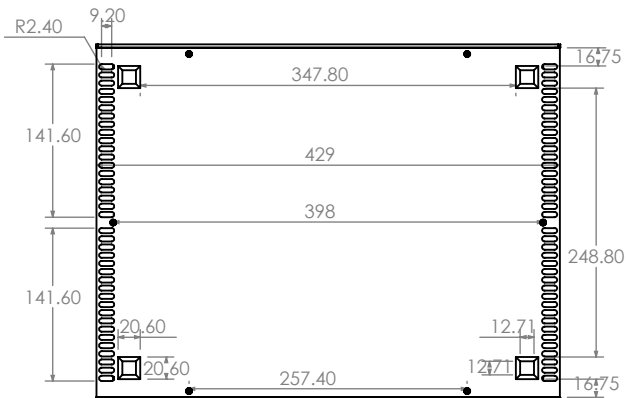


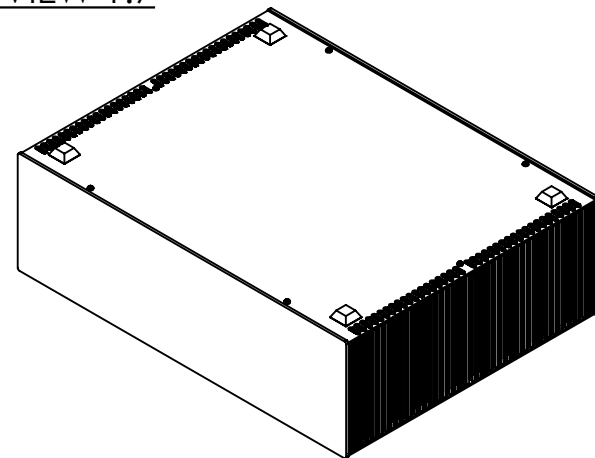
SECTION A-A





SECTION B-B



ISO VIEW 1:7



 <b>CAMDENBOSS</b> JAMES CARTER RD, MILDENHALL, SUFFOLK. IP28 7DE TEL: 01638 716101 FAX: 01638 716554 EMAIL: Sales@CamdenBoss.com WEB: www.CamdenBoss.com				UNLESS OTHERWISE SPECIFIED: DIMENSIONS ARE IN MILLIMETERS		DO NOT SCALE DRAWING		REVISION. O	
				GENERAL TOLERANCES +/- 0.2		TITLE: <b>Heat Sink Alu Enc Silver</b> <b>330 x 430 x 132.5</b>			
				FINISH: <b>SILVER ANODIZED</b>		DWG. NO.		<b>CDM9540SL</b>	
				MATERIAL: <b>ALUMINIUM</b>		SCALE: 1:7		<b>A4</b>	
DRAWN	I.ALSAHEB	IMS	17/03/18	PROJECTION. 		SHEET 1 OF 1			
CHK'D	-	-	-						