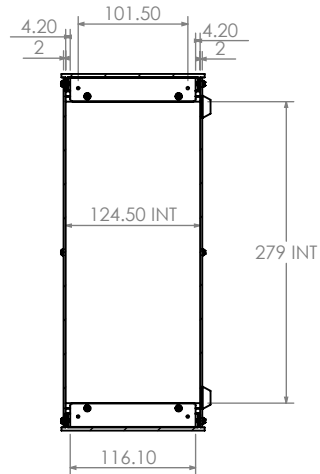
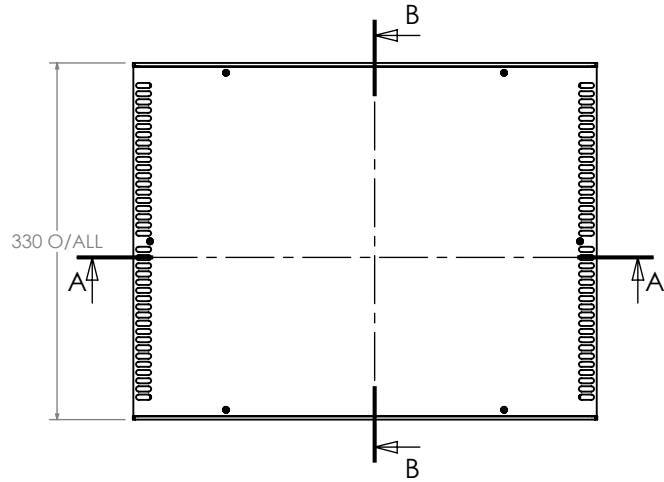
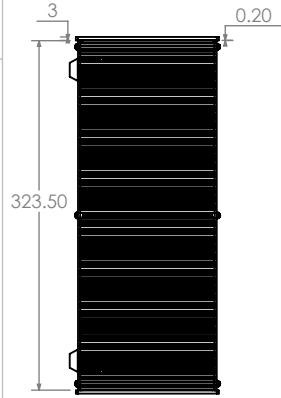
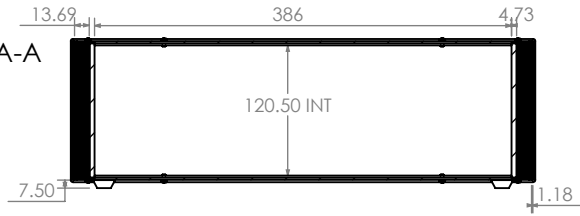
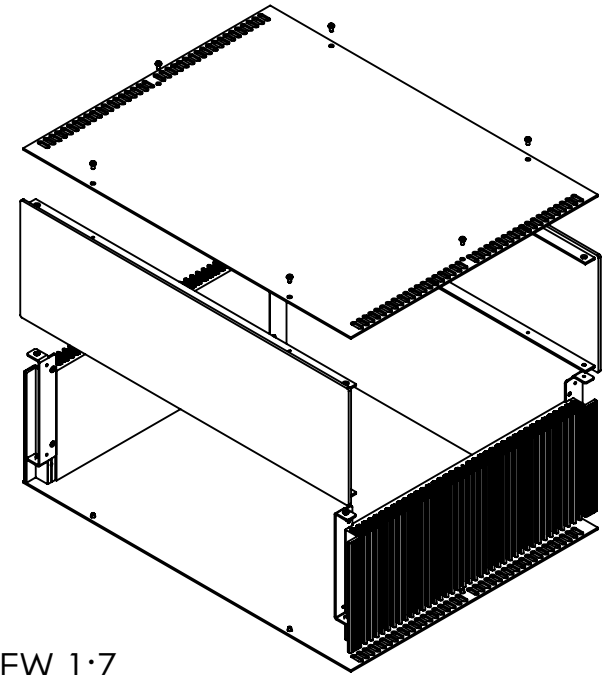
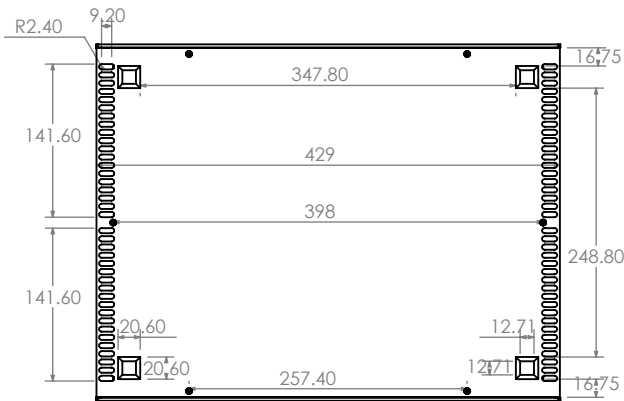


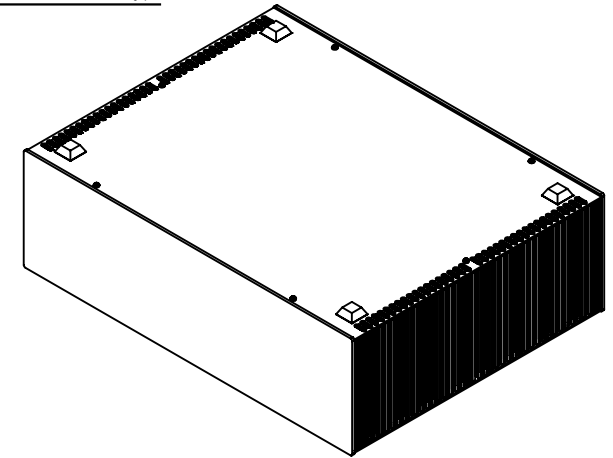
SECTION A-A





SECTION B-B



ISO VIEW 1:7



 CAMDENBOSS JAMES CARTER RD, MILDENHALL, SUFFOLK. IP28 7DE TEL: 01638 716101 FAX: 01638 716554 EMAIL: Sales@CamdenBoss.com WEB: www.CamdenBoss.com				UNLESS OTHERWISE SPECIFIED: DIMENSIONS ARE IN MILLIMETERS		DO NOT SCALE DRAWING		REVISION. O	
				GENERAL TOLERANCES +/- 0.2		TITLE: Heat Sink Alu Enc Silver 330 x 430 x 132.5			
				FINISH: SILVER ANODIZED		DWG. NO. CDM9540SL		A4	
				MATERIAL: ALUMINIUM		SCALE: 1:7		SHEET 1 OF 1	
DRAWN	I.ALSAHEB	IMS	17/03/18	PROJECTION. 					
CHK'D	-	-	-						