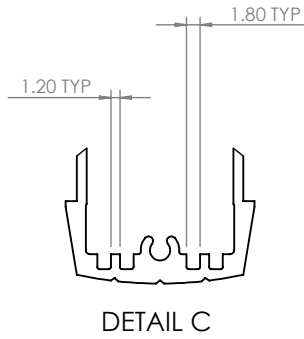
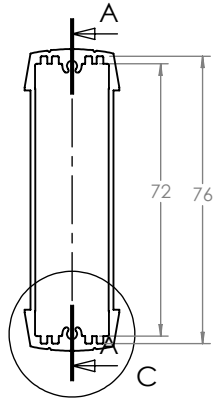
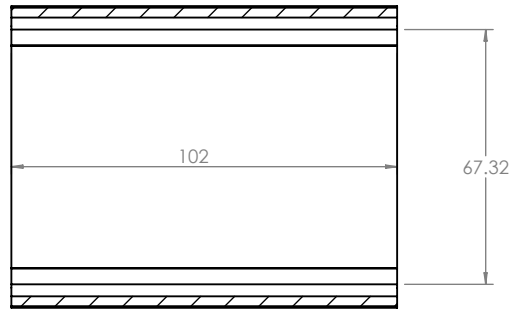
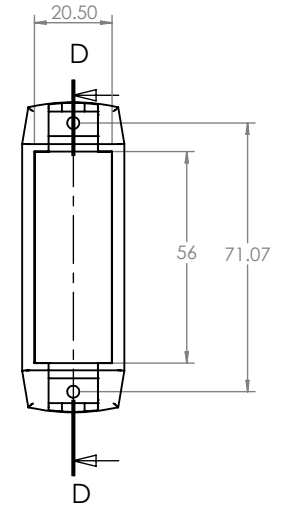
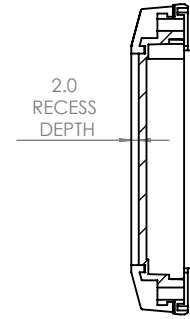


SECTION A-A



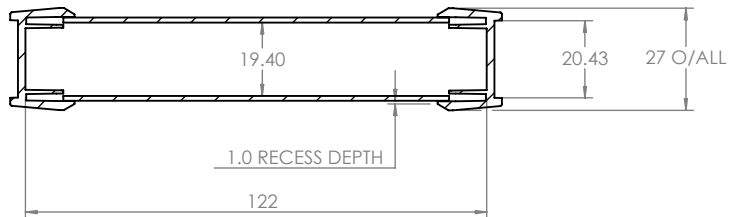
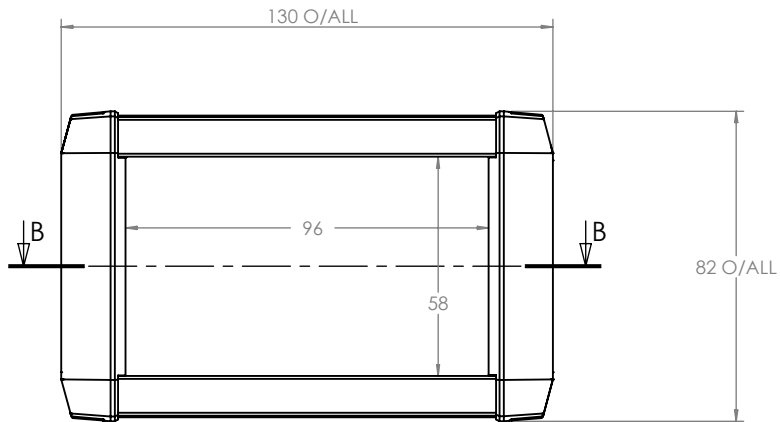
SECTION D-D



PROFILE

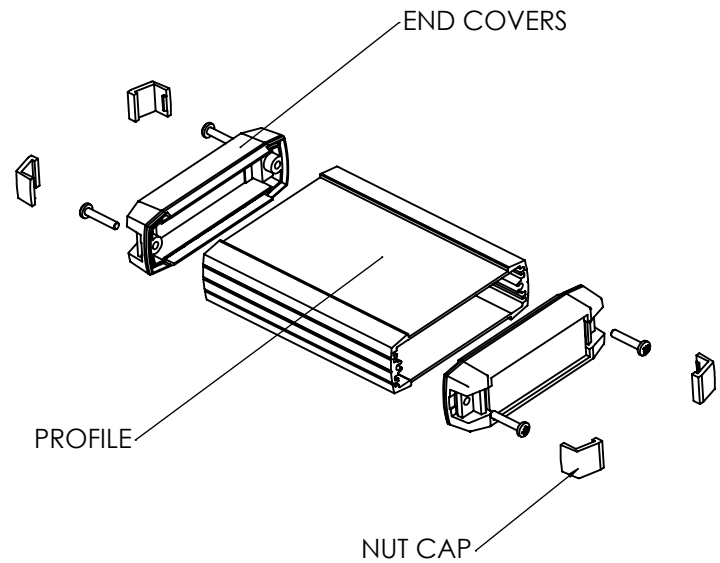
END COVER



ASSEMBLY



SECTION B-B

ISO VIEW
1:3



 CAMDENBOSS JAMES CARTER RD, MILDENHALL, SUFFOLK, IP28 7DE TEL: 01638 716101 FAX: 01638 716554 EMAIL: Sales@CamdenBoss.com WEB: www.CamdenBoss.com				UNLESS OTHERWISE SPECIFIED: DIMENSIONS ARE IN MILLIMETERS		DO NOT SCALE DRAWING		REVISION: O		
				FINISH: EPOXY PAINT		TITLE: GNL ASSEMBLY DRG FOR 55 SERIES				
DRAWN IAN PAGANO		SIGNED I.P.		DATE 06/08/13		MATERIAL: ALUMINIUM		DWG NO. CEAREPB01		A4
CHKD -		-		-		PROJECTION: 		SCALE: 1:2		SHEET 1 OF 1