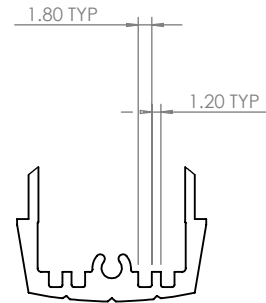
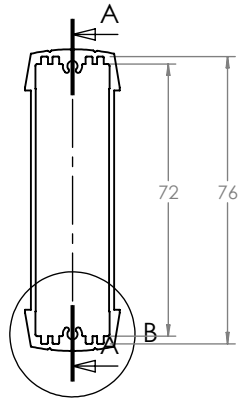
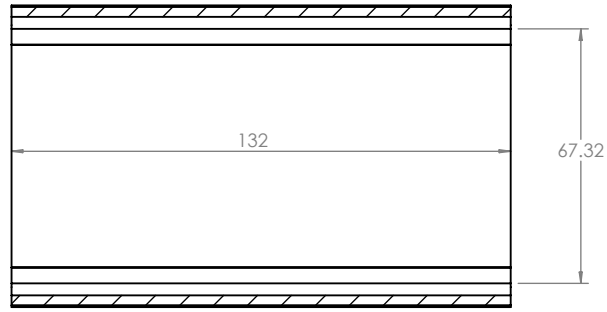
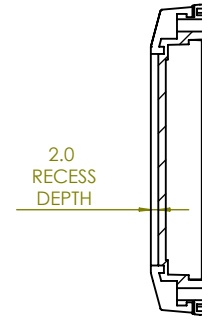


SECTION A-A

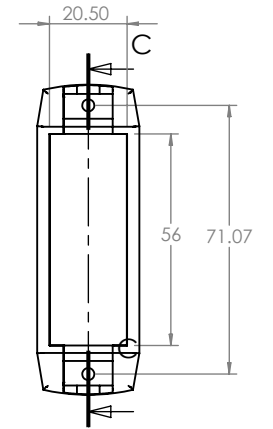


DETAIL B

SECTION C-C

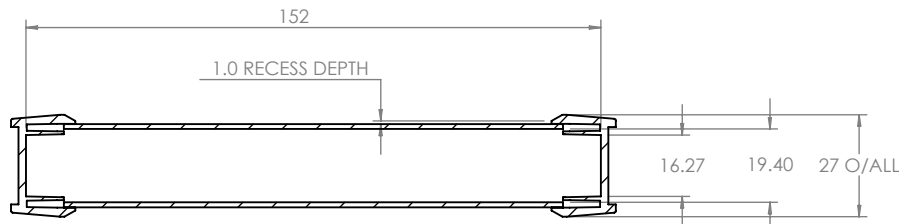


END COVER

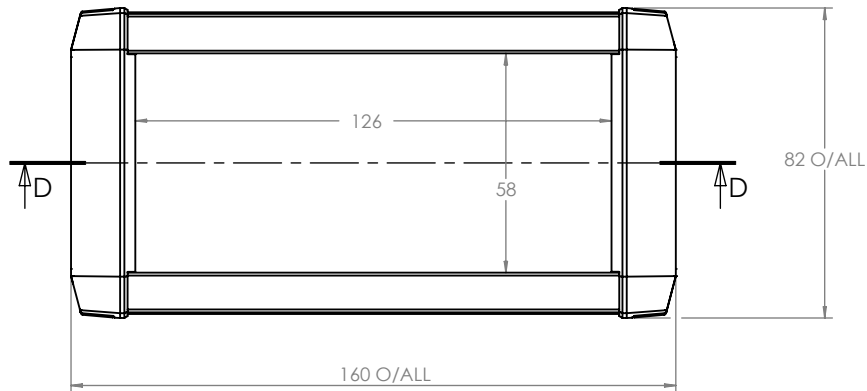


PROFILE

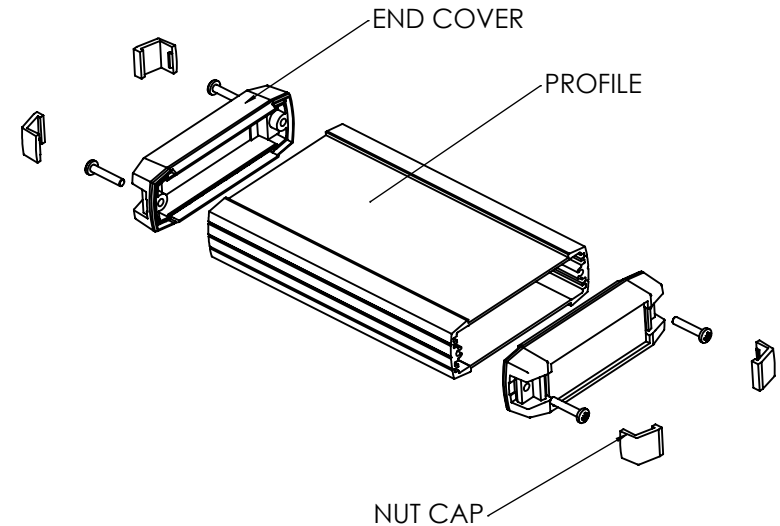
ASSEMBLY





SECTION D-D



ISO VIEW  
1:3



 <b>CAMDENBOSS</b> JAMES CARTER RD, MILDENHALL, SUFFOLK. IP28 7DE TEL: 01638 716101 FAX: 01638 716554 EMAIL: Sales@CamdenBoss.com WEB: www.CamdenBoss.com			UNLESS OTHERWISE SPECIFIED: DIMENSIONS ARE IN MILLIMETERS		DO NOT SCALE DRAWING		REVISION. 0			
			FINISH. <b>EPOXY PAINT</b>		TITLE: <b>GNL ASSEMBLY DRG FOR 55 SERIES</b>					
DRAWN SUBKHANKULOVA		SIGNED LS		DATE 03/03/09		MATERIAL. <b>ALUMINIUM</b>		DWG NO. <b>CEAREPB02</b>		A4
CHK'D -		-		-		PROJECTION. 		SCALE: 1 : 2		SHEET 1 OF 1