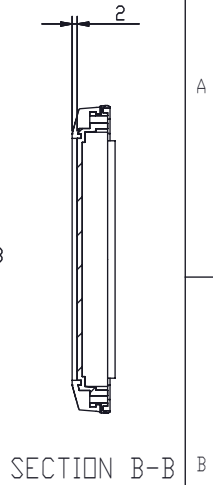
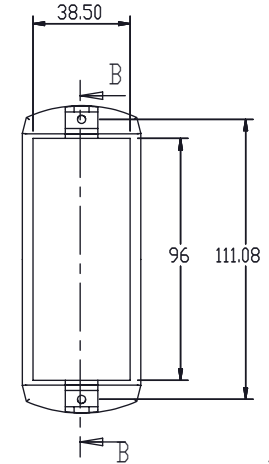
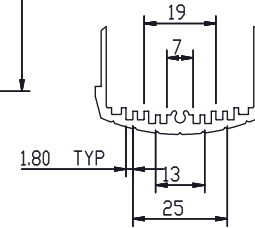
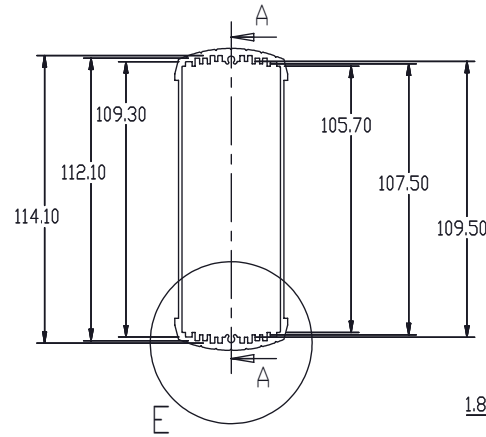
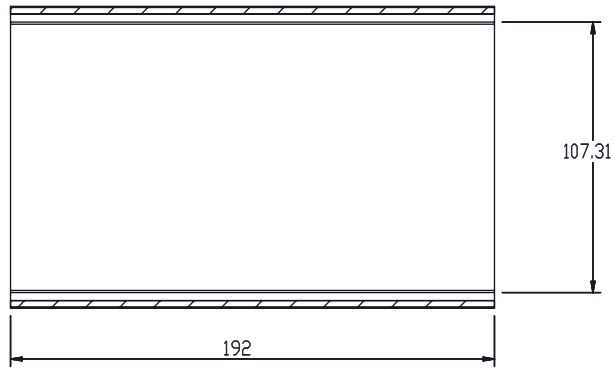


SECTION A-A
SCALE 1 : 3

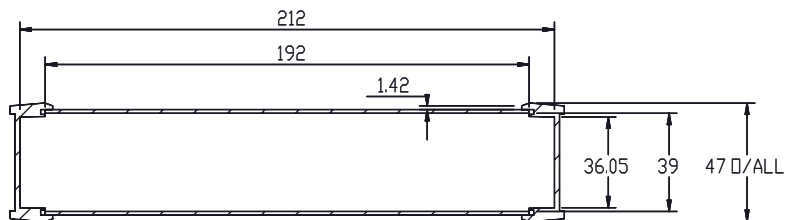
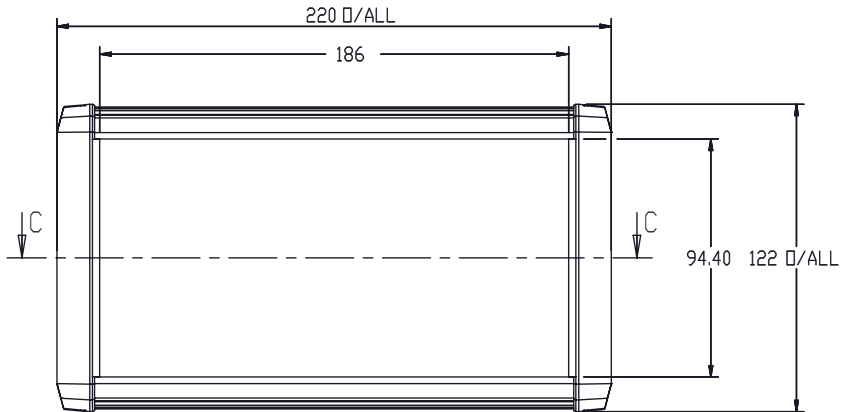


PROFILE

END COVER

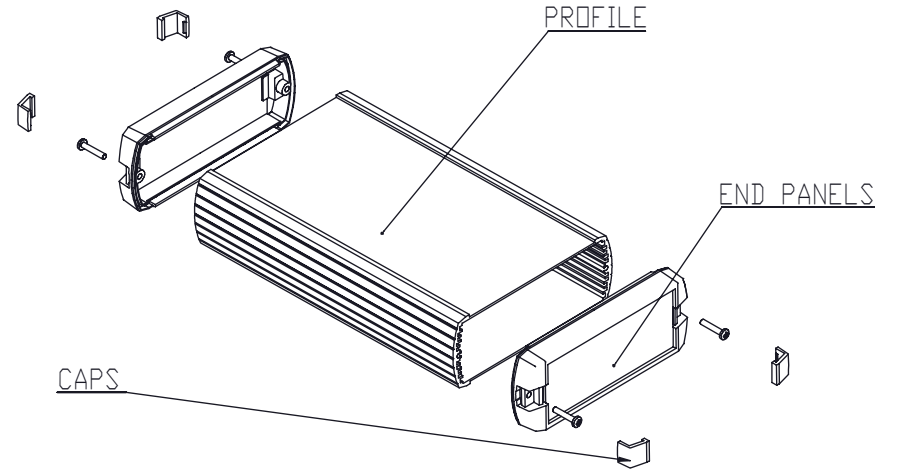
SECTION B-B



ASSEMBLY



SECTION C-C

ISO VIEW
1:4



 CAMDENBOSS JAMES CARTER RD, MILDENHALL, SUFFOLK, IP28 7DE TEL: 01638 716101 FAX: 01638 716554 EMAIL: SALES@BOSS-ENCLOSURES.CO.UK WEB: WWW.BOSS-ENCLOSURES.CO.UK		UNLESS OTHERWISE SPECIFIED: DIMENSIONS ARE IN MILLIMETERS	DO NOT SCALE DRAWING	REVISION: 0
		FINISH: EPOXY PAINT	TITLE: GNL ASSEMBLY DRG FOR 55 SERIES	
DRAWN IAN PAGANO	SIGNED I.P.	DATE 06/08/13	MATERIAL: ALUMINIUM	DWG NO. CEAREPB06
CHK'D			PROJECTION: 	SCALE: 1 : 3
			SHEET 1 OF 1	

A4