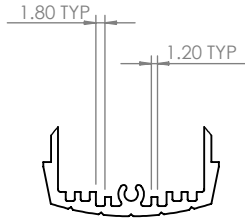
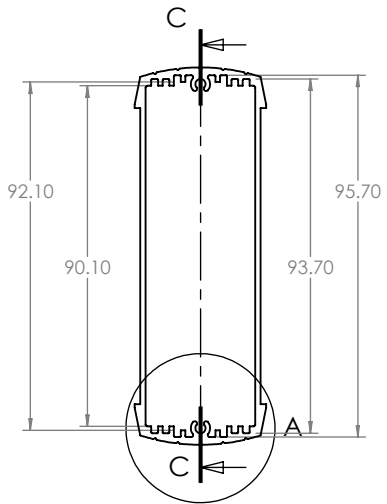
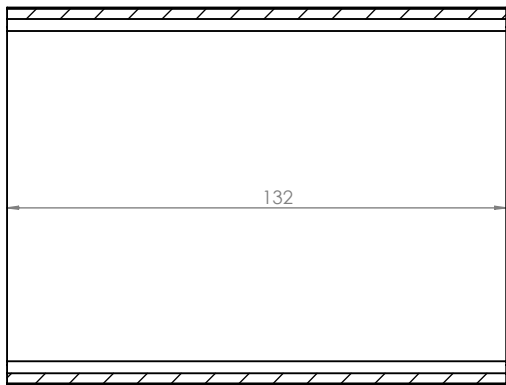
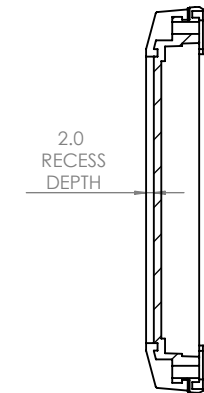


SECTION C-C

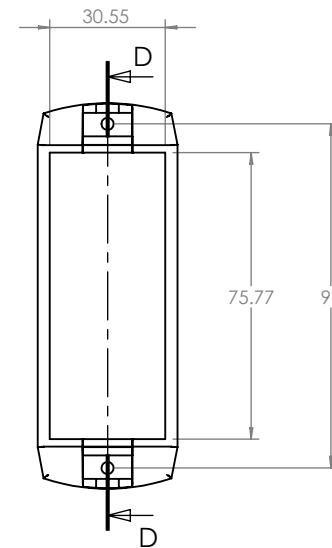


DETAIL A

SECTION D-D

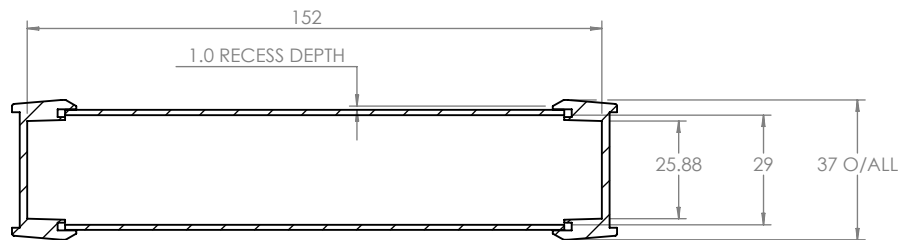


END COVER

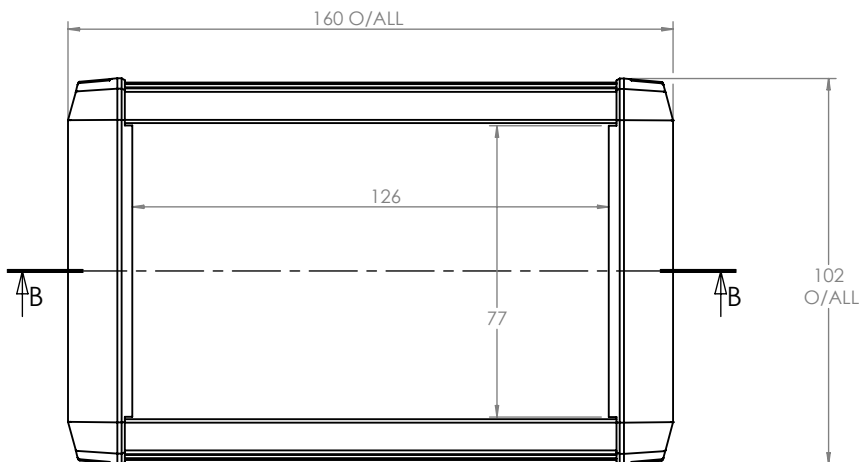


PROFILE

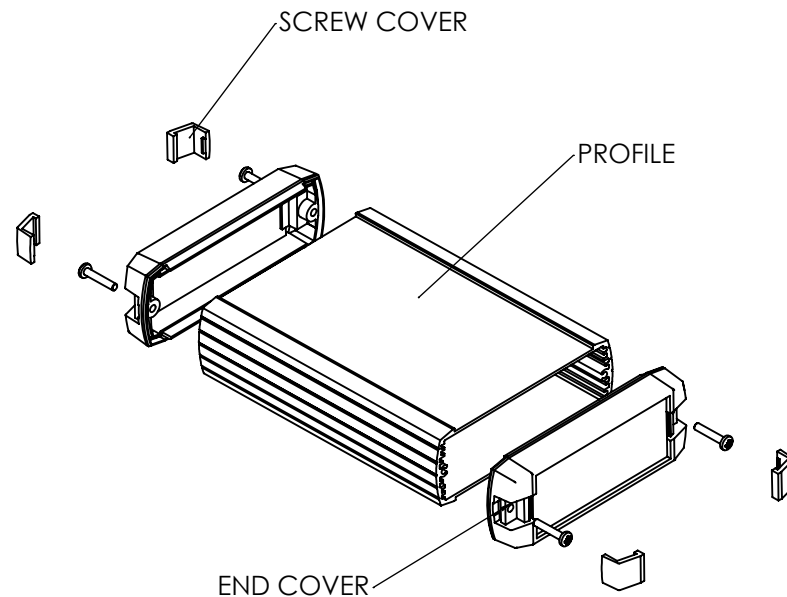
ASSEMBLY





SECTION B-B



ISO VIEW
1:3



 CAMDENBOSS JAMES CARTER RD, MILDENHALL, SUFFOLK. IP28 7DE TEL: 01638 716101 FAX: 01638 716554 EMAIL: Sales@CamdenBoss.com WEB: www.CamdenBoss.com			UNLESS OTHERWISE SPECIFIED: DIMENSIONS ARE IN MILLIMETERS		DO NOT SCALE DRAWING		REVISION. 0		
			FINISH: EPOXY PAINT		TITLE: GNL ASSEMBLY DRG FOR 55 SERIES				
DRAWN SUBKHANKULOVA		SIGNED LS	DATE 03/03/09	MATERIAL: ALUMINIUM		DWG NO. CEAREPG03		A4	
CHKD -		-	-	PROJECTION. 		SCALE: 1 : 2		SHEET 1 OF 1	