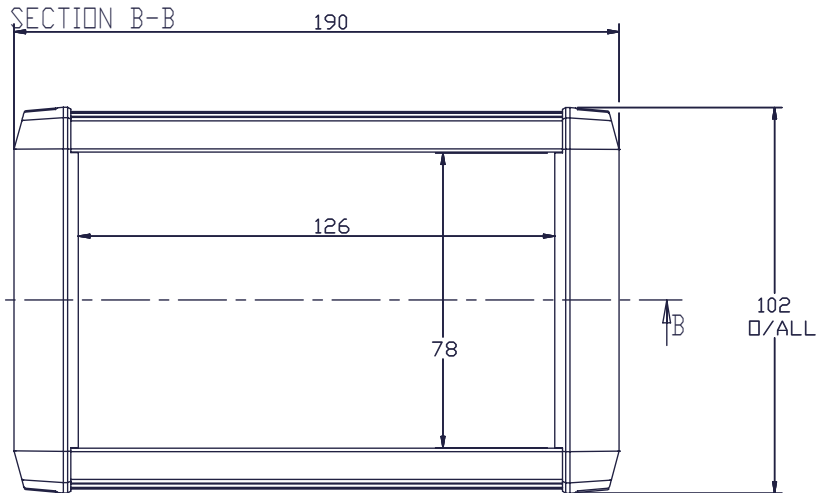
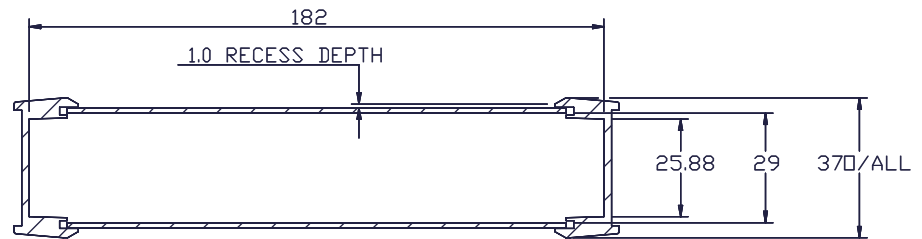


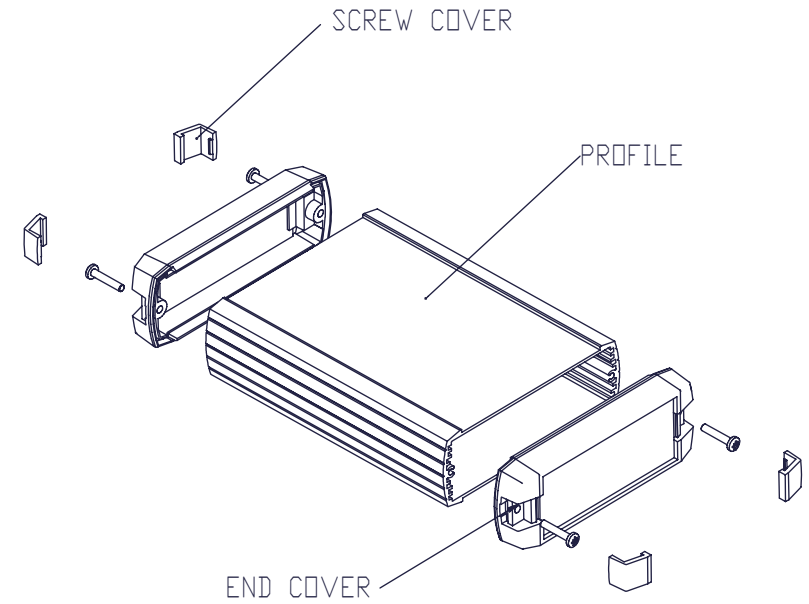
END COVER



PROFILE

ASSEMBLY



ISO VIEW
1:3



 CAMDENBOSS JAMES CARTER RD, MILDENHALL, SUFFOLK. IP28 7DE TEL: 01638 716101 FAX: 01638 716554 EMAIL: Sales@CamdenBoss.com WEB: www.CamdenBoss.com		UNLESS OTHERWISE SPECIFIED: DIMENSIONS ARE IN MILLIMETERS	DO NOT SCALE DRAWING	REVISION: 0
		FINISH: EPOXY PAINT	TITLE: GNL ASSEMBLY DRG FOR 55 SERIES	
DRAWN IAN PAGANO	SIGNED I.P.	DATE 06/08/13	MATERIAL: ALUMINIUM	DWG NO. CEAREPG04
CHK'D -	-	-	PROJECTION 	SCALE: 1 : 2
			SHEET 1 OF 1	