
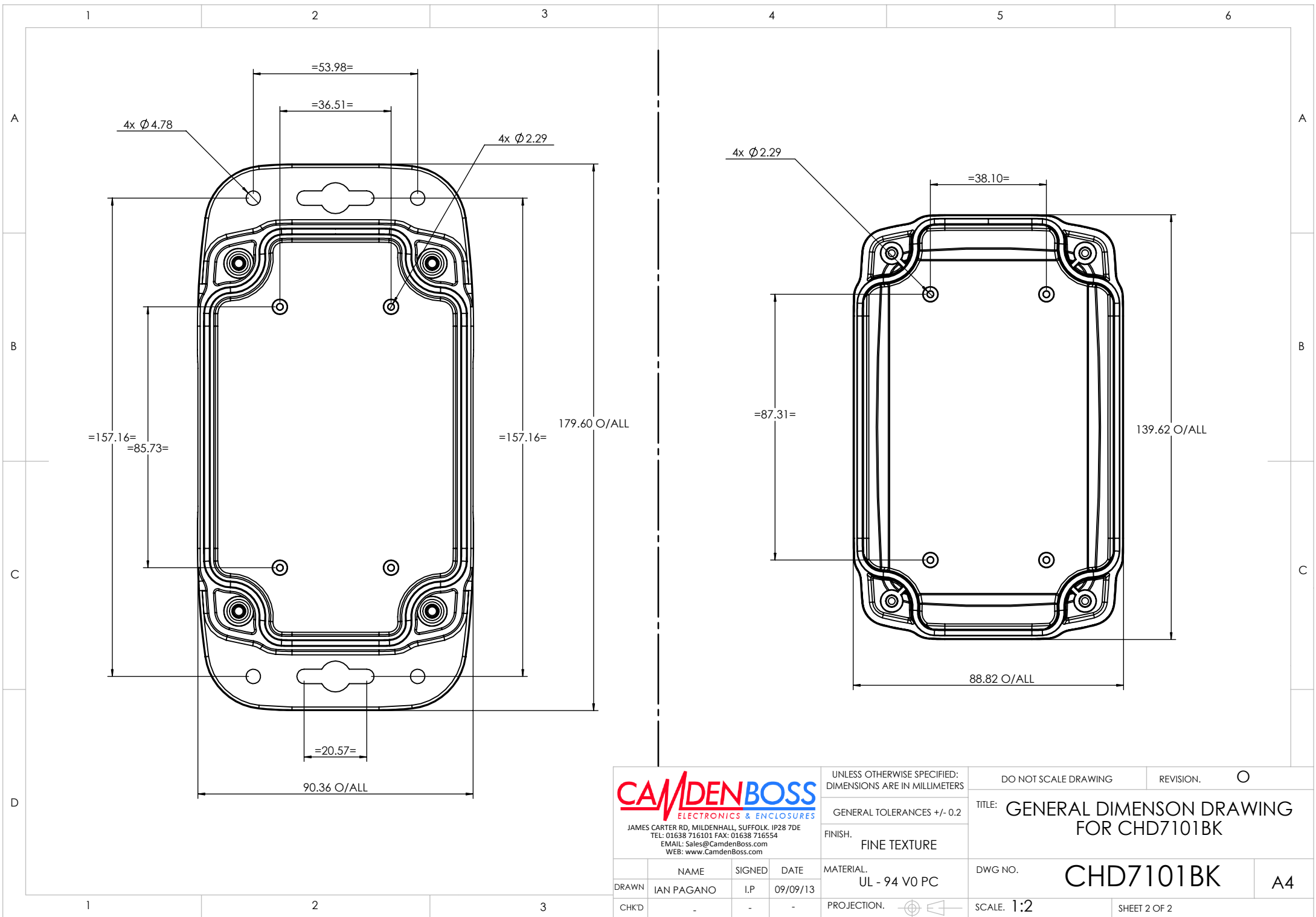
 CAMDENBOSS JAMES CARTER RD, MILDENHALL, SUFFOLK. IP28 7DE TEL: 01638 716101 FAX: 01638 716554 EMAIL: Sales@CamdenBoss.com WEB: www.CamdenBoss.com		UNLESS OTHERWISE SPECIFIED: DIMENSIONS ARE IN MILLIMETERS		DO NOT SCALE DRAWING	REVISION. <input type="checkbox"/>
		GENERAL TOLERANCES +/- 0.2		TITLE: GENERAL DIMENSION DRAWING FOR CHD7101BK	
DRAWN IAN PAGANO		SIGNED I.P.		DATE 09/09/13	
MATERIAL. UL - 94 V0 PC		FINISH. FINE TEXTURE		DWG NO. CHD7101BK	
PROJECTION. 		SCALE. 1:2		SHEET 1 OF 2	
CHKD -	NAME -	SIGNED -	DATE -	A4	



CAMDENBOSS
 ELECTRONICS & ENCLOSURES
 JAMES CARTER RD, MILDENHALL, SUFFOLK. IP28 7DE
 TEL: 01638 716101 FAX: 01638 716554
 EMAIL: Sales@CamdenBoss.com
 WEB: www.CamdenBoss.com

UNLESS OTHERWISE SPECIFIED:
 DIMENSIONS ARE IN MILLIMETERS
 GENERAL TOLERANCES +/- 0.2
 FINISH:
 FINE TEXTURE

DO NOT SCALE DRAWING REVISION: 0
 TITLE: GENERAL DIMENSION DRAWING FOR CHD7101BK
 DWG NO. CHD7101BK A4

	NAME	SIGNED	DATE
DRAWN	IAN PAGANO	I.P.	09/09/13
CHKD	-	-	-

MATERIAL:
 UL - 94 V0 PC
 PROJECTION:

SCALE: 1:2 SHEET 2 OF 2