
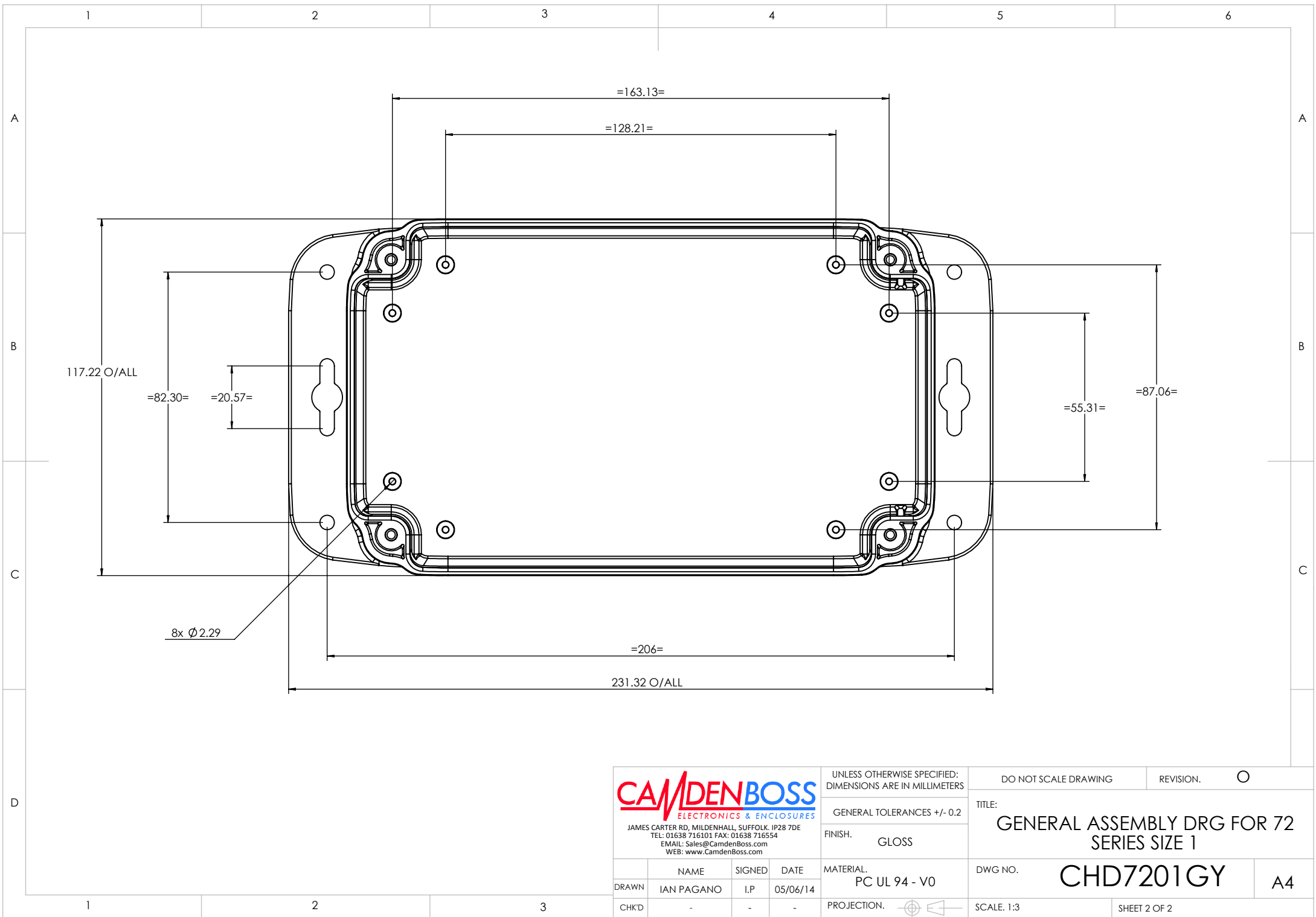
 <b>CAMDENBOSS</b> JAMES CARTER RD, MILDENHALL, SUFFOLK. IP28 7DE TEL: 01638 716101 FAX: 01638 716554 EMAIL: Sales@CamdenBoss.com WEB: www.CamdenBoss.com				UNLESS OTHERWISE SPECIFIED: DIMENSIONS ARE IN MILLIMETERS		DO NOT SCALE DRAWING		REVISION. <input type="checkbox"/>	
				GENERAL TOLERANCES +/- 0.2		TITLE: <b>GENERAL ASSEMBLY DRG FOR 72 SERIES SIZE 1</b>			
FINISH. GLOSS				MATERIAL. PC UL 94 - V0		DWG NO. <b>CHD7201GY</b>		A4	
DRAWN	IAN PAGANO	I.P.	05/06/14	PROJECTION. 		SCALE: 1:3		SHEET 1 OF 2	
CHKD	-	-	-						



**CAMDENBOSS**  
 ELECTRONICS & ENCLOSURES  
 JAMES CARTER RD, MILDENHALL, SUFFOLK. IP28 7DE  
 TEL: 01638 716101 FAX: 01638 716554  
 EMAIL: Sales@CamdenBoss.com  
 WEB: www.CamdenBoss.com

UNLESS OTHERWISE SPECIFIED:  
 DIMENSIONS ARE IN MILLIMETERS  
 GENERAL TOLERANCES +/- 0.2  
 FINISH. GLOSS

DO NOT SCALE DRAWING      REVISION. ○  
 TITLE:  
**GENERAL ASSEMBLY DRG FOR 72  
 SERIES SIZE 1**

	NAME	SIGNED	DATE
DRAWN	IAN PAGANO	I.P.	05/06/14
CHK'D	-	-	-

MATERIAL. PC UL 94 - V0  
 PROJECTION.

DWG NO. **CHD7201GY**      A4  
 SCALE: 1:3      SHEET 2 OF 2