
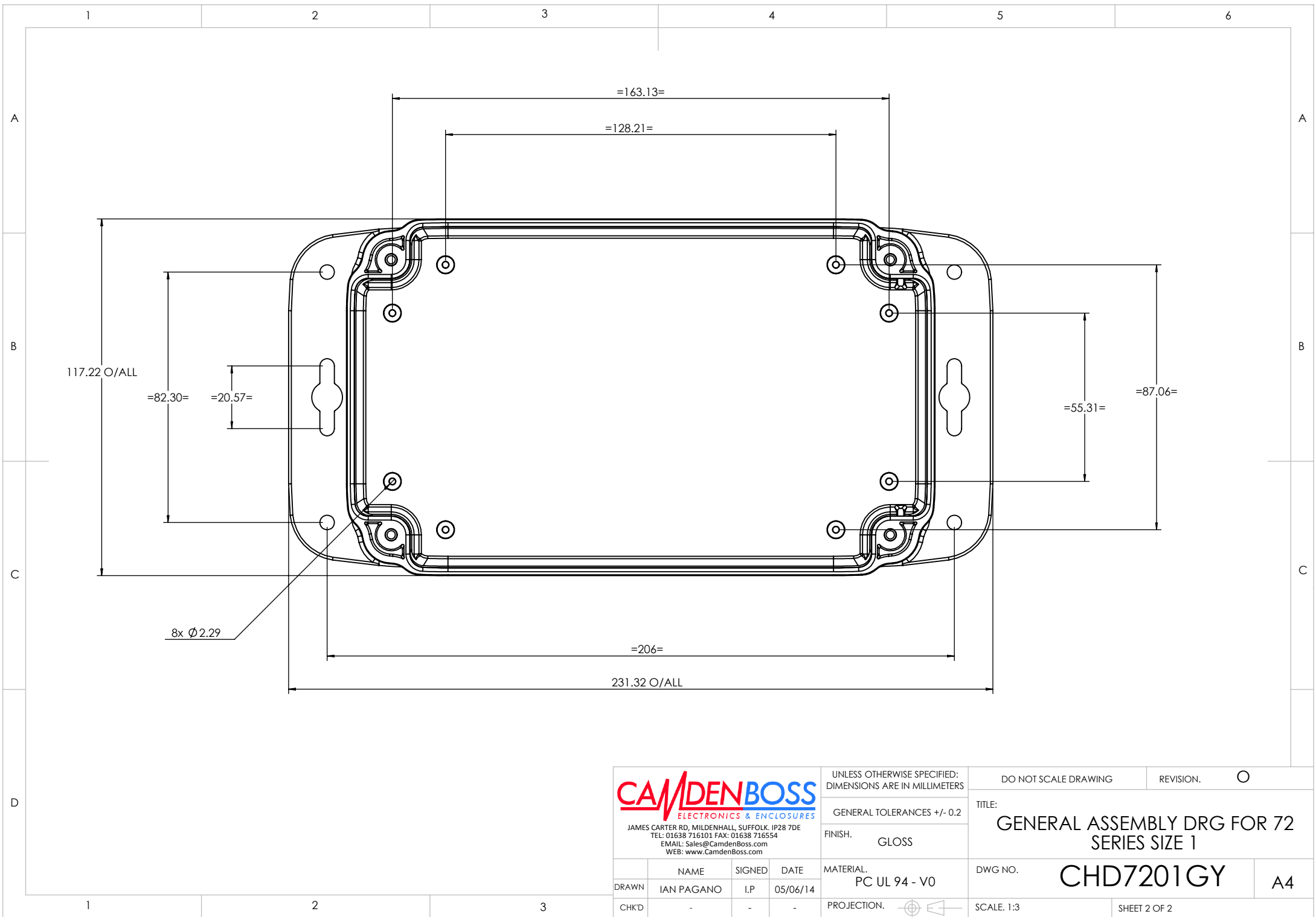
 CAMDENBOSS JAMES CARTER RD, MILDENHALL, SUFFOLK. IP28 7DE TEL: 01638 716101 FAX: 01638 716554 EMAIL: Sales@CamdenBoss.com WEB: www.CamdenBoss.com				UNLESS OTHERWISE SPECIFIED: DIMENSIONS ARE IN MILLIMETERS		DO NOT SCALE DRAWING		REVISION. <input type="checkbox"/>	
				GENERAL TOLERANCES +/- 0.2		TITLE: GENERAL ASSEMBLY DRG FOR 72 SERIES SIZE 1			
FINISH. GLOSS				MATERIAL. PC UL 94 - V0		DWG NO. CHD7201GY		A4	
DRAWN	IAN PAGANO	I.P.	05/06/14	PROJECTION. 		SCALE: 1:3		SHEET 1 OF 2	
CHKD	-	-	-						



CAMDENBOSS
 ELECTRONICS & ENCLOSURES
 JAMES CARTER RD, MILDENHALL, SUFFOLK. IP28 7DE
 TEL: 01638 716101 FAX: 01638 716554
 EMAIL: Sales@CamdenBoss.com
 WEB: www.CamdenBoss.com

UNLESS OTHERWISE SPECIFIED:
 DIMENSIONS ARE IN MILLIMETERS
 GENERAL TOLERANCES +/- 0.2
 FINISH. GLOSS

DO NOT SCALE DRAWING REVISION. ○
 TITLE: GENERAL ASSEMBLY DRG FOR 72 SERIES SIZE 1

	NAME	SIGNED	DATE
DRAWN	IAN PAGANO	I.P.	05/06/14
CHK'D	-	-	-

MATERIAL. PC UL 94 - V0
 PROJECTION.

DWG NO. CHD7201GY A4
 SCALE: 1:3 SHEET 2 OF 2