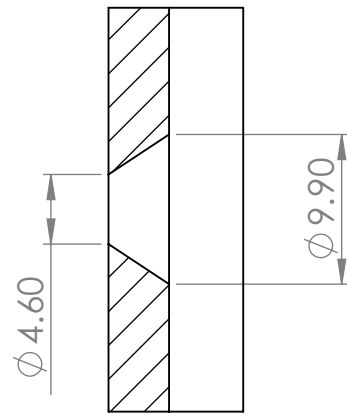
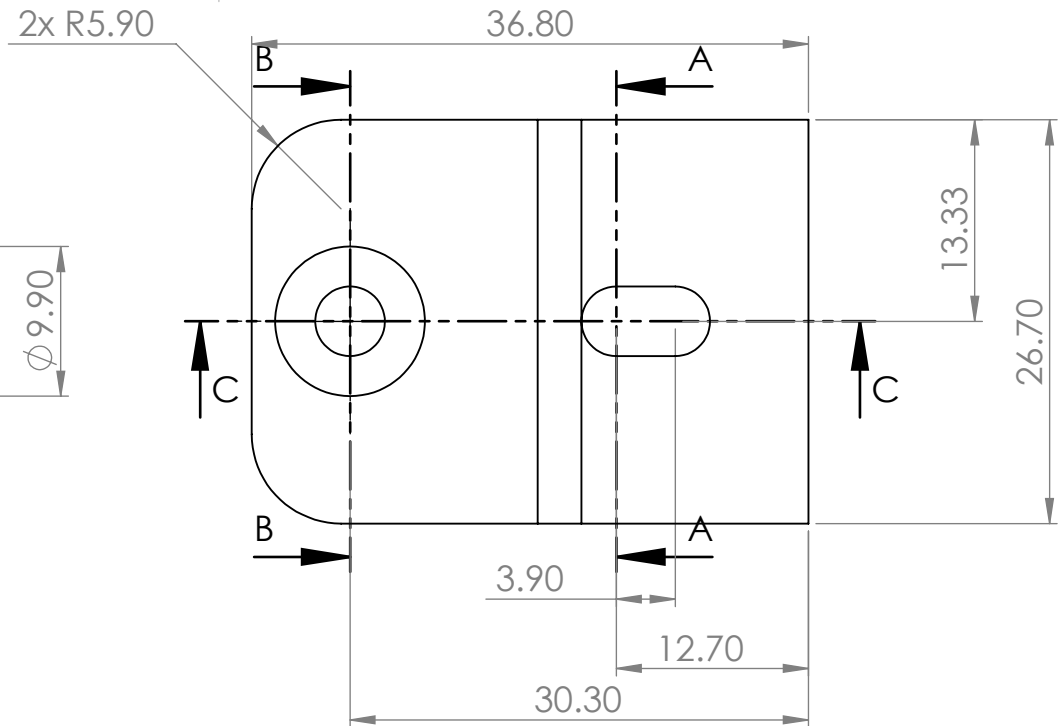


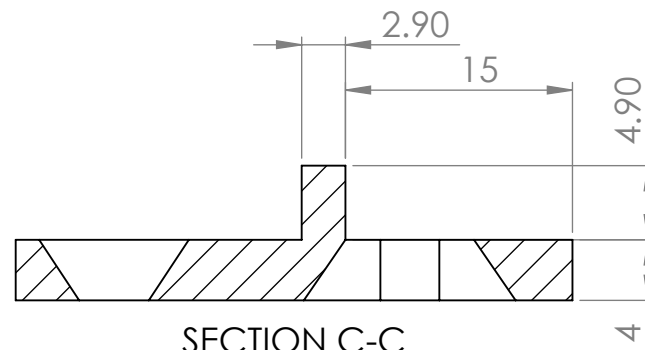
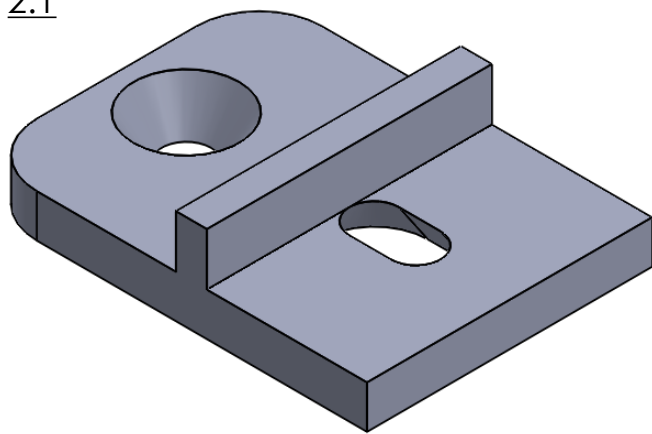
SECTION A-A





SECTION B-B



ISO VIEW
2:1



SECTION C-C

 CAMDENBOSS JAMES CARTER RD, MILDENHALL, SUFFOLK. IP28 7DE TEL: 01638 716101 FAX: 01638 716554 EMAIL: Sales@CamdenBoss.com WEB: www.CamdenBoss.com		UNLESS OTHERWISE SPECIFIED: DIMENSIONS ARE IN MILLIMETERS		DO NOT SCALE DRAWING		REVISION. <input type="checkbox"/>					
		GENERAL TOLERANCES +/- 0.2		TITLE: DIMENSION DRAWING FOR CHD7700MK							
DRAWN IAN PAGANO		SIGNED I.P.		DATE 27/02/14		MATERIAL. ABS		DWG NO. CHD7700MK		A4	
CHKD -		-		-		PROJECTION. 		SCALE. 2:1		SHEET 1 OF 1	