

1 2 3 4 5 6

A

A

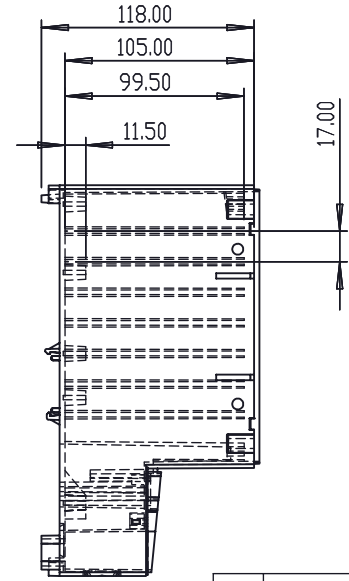
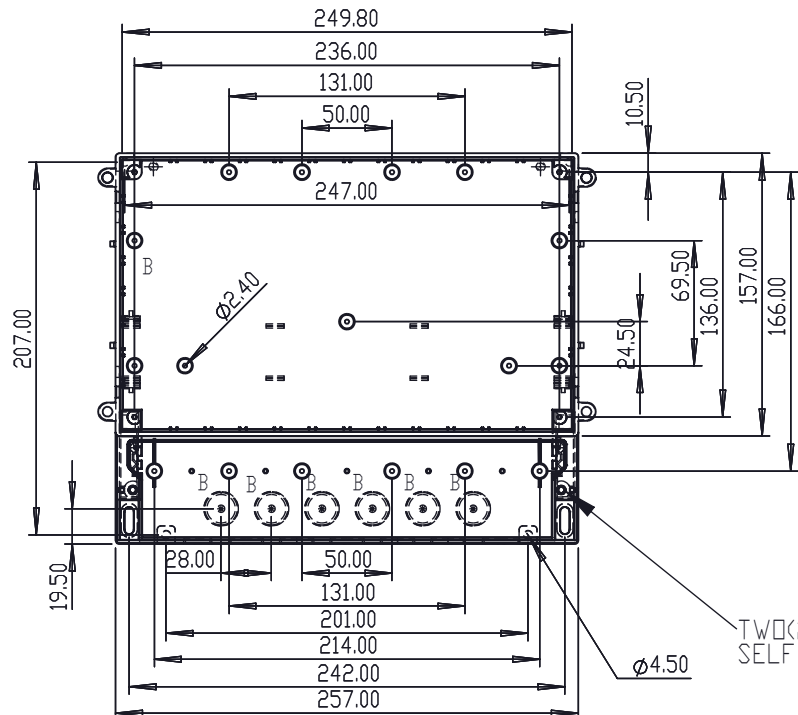
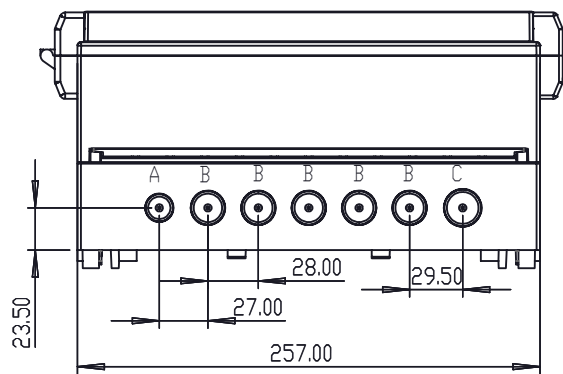
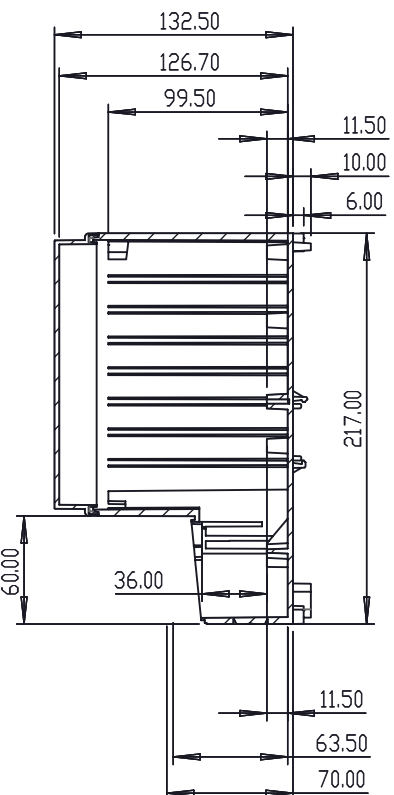
B

B


C

C

D



	DIMENSION	CABLE GLAND
A	15.6mm	PG 9<DR M12>
B	19.0mm	PG 11<DR M16>
C	20.8mm	PG 13.5<DR M20>



CAMDENBOSS
 JAMES CARTER RD, MILDENHALL, SUFFOLK. IP28 7DE
 TEL: 01638 716101 FAX: 01638 716554
 EMAIL: Sales@CamdenBoss.com
 WEB: www.CamdenBoss.com

UNLESS OTHERWISE SPECIFIED:
DIMENSIONS ARE IN MILLIMETERS

GENERAL TOLERANCES +/- 0.2

FINISH: FINE TEXTURE

MATERIAL: UL 94 - V0 ABS/PC

DO NOT SCALE DRAWING


REVISION: ○

TITLE: **7700 SERIES SIZE 4 WALL MOUNT BOX HINGED LID**

DWG NO. **CHD771004**

SCALE: 1:7

NAME	SIGNED	DATE
DRAWN IAN PAGANO	I.P.	07/01/14
CHKD DAN SMALLEY	D.S.	08/01/14

PROJECTION: 

SHEET 1 OF 1

1 2 3 4 5 6