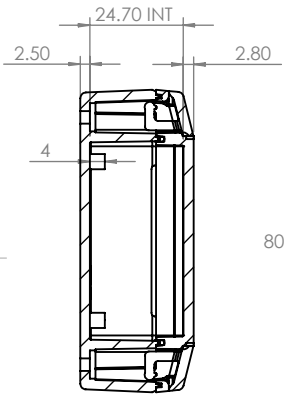
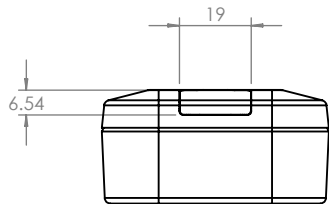
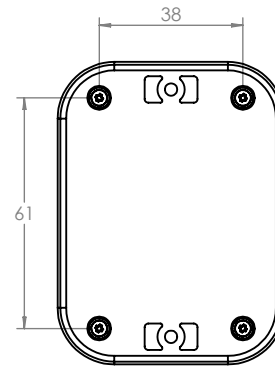
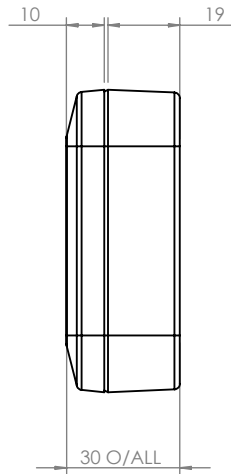
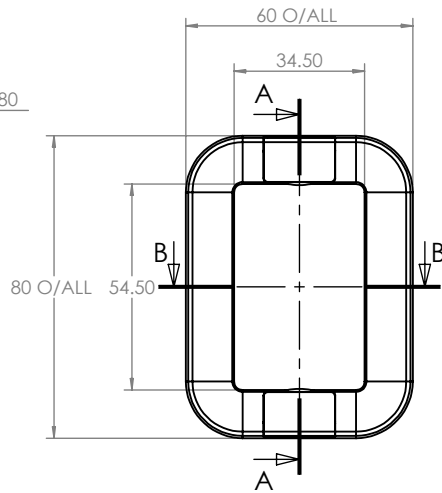


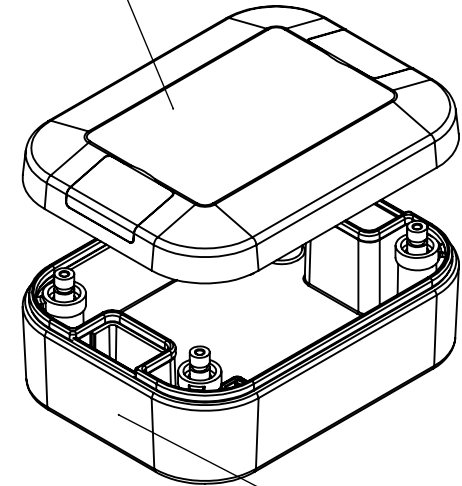
SECTION B-B



SECTION A-A

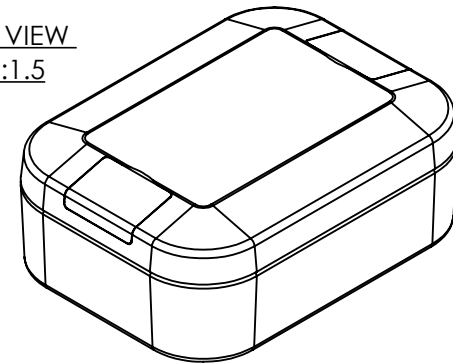



TOP COVER



BOTTOM COVER

ISO VIEW
1:1.5



 CAMDENBOSS JAMES CARTER RD, MILDENHALL, SUFFOLK. IP28 7DE TEL: 01638 716101 FAX: 01638 716554 EMAIL: Sales@CamdenBoss.com WEB: www.CamdenBoss.com				UNLESS OTHERWISE SPECIFIED: DIMENSIONS ARE IN MILLIMETERS		DO NOT SCALE DRAWING		REVISION. 0	
				GENERAL TOLERANCES +/- 0.2		TITLE: 91 SERIES FOR BOX, SIZE 10, DARK GREY, 80x60x30			
FINISH: FINE TEXTURE				MATERIAL: ABS UL94-V0		DWG NO. CHD91E10DG		A4	
DRAWN	I.ALSAHEB	IMS	15/04/18	PROJECTION.		SCALE: 1:2		SHEET 1 OF 1	
CHK'D	DAN SMALLEY	DS	15/04/18						