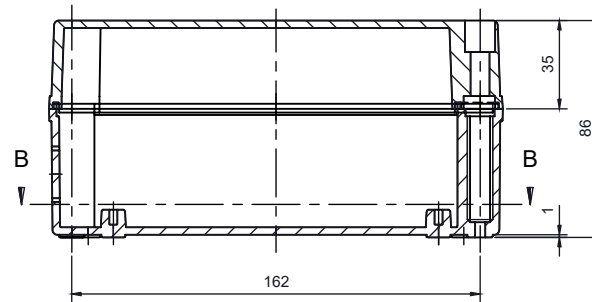
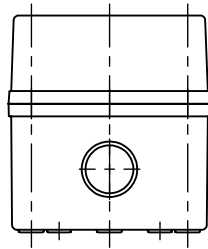
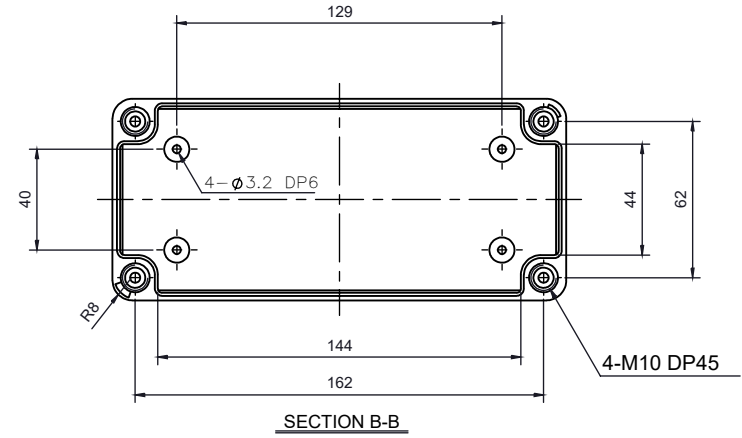
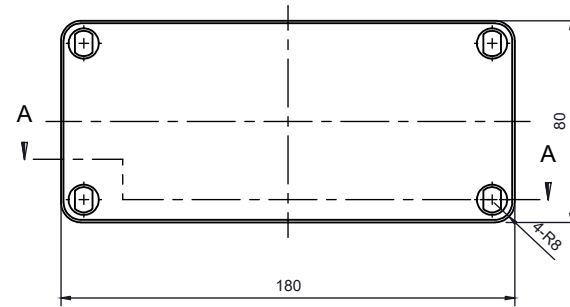
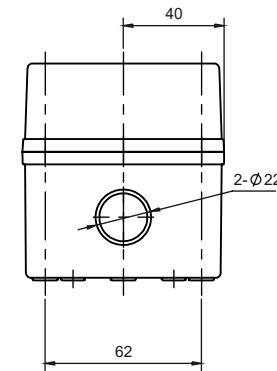




PART NUMBER	Description
CHDX6-226	Polycarb, Solid Lid
CHDX6-226C	Polycarb, Transparent Lid
CHDX6-326	ABS, Solid Lid
CHDX6-326C	ABS, Transparent Lid



**SECTION A-A**



 <b>CAMDENBOSS</b> JAMES CARTER RD, MILDENHALL, SUFFOLK. IP28 7DE TEL: 01638 716101 FAX: 01638 716554 EMAIL: Sales@CamdenBoss.com WEB: www.CamdenBoss.com			UNLESS OTHERWISE SPECIFIED: DIMENSIONS ARE IN MILLIMETERS	GENERAL TOLERANCES +/- 0.2	REVISION. ○
			FINISH. LID GLOSS, BASE LIGHT SPARK	TITLE: X6 Series Knock out Enclosure, 180x80x85	
DRAWN	ALWIN B.K	ABK	08/12/17	MATERIAL. SEE TABLE	DWG NO. CHDX6 (180x80x85) A4
CHK'D	A.GOODENOUGH	A.G	08/12/17	PROJECTION. 	SCALE: 1:3 SHEET 1 OF 1 DO NOT SCALE DRAWING