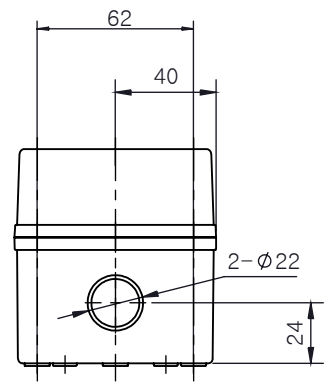
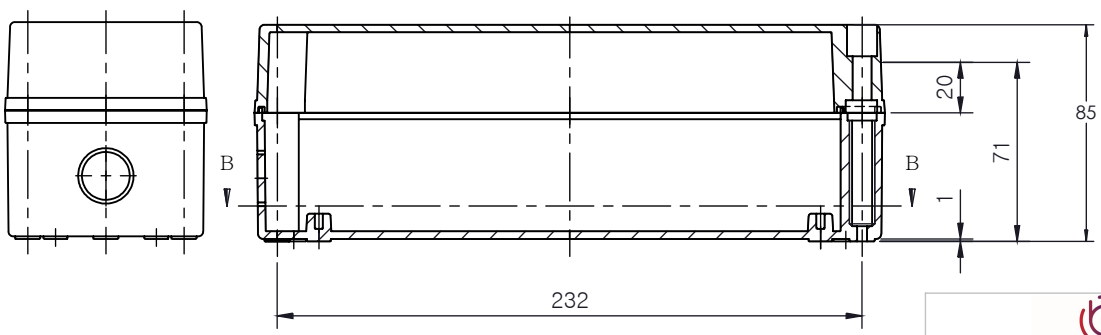
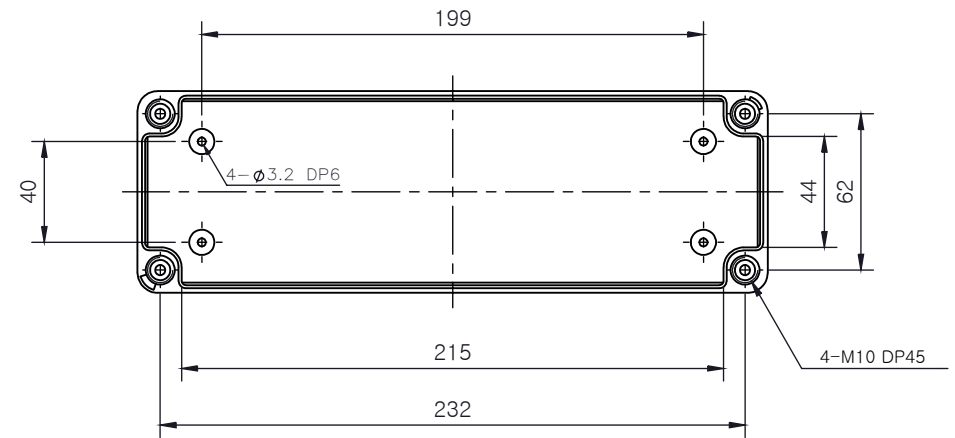
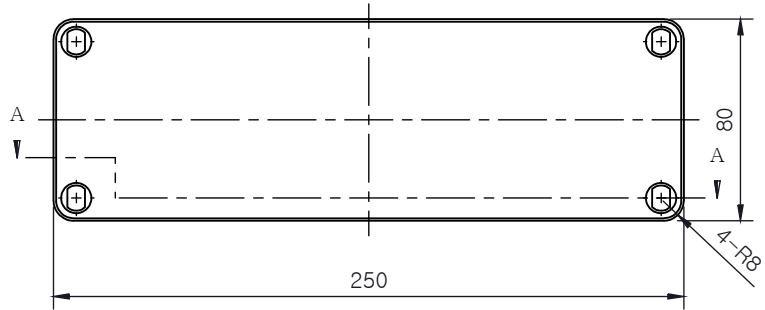




PART NUMBER	Description
CHDX6-228	Polycarb, Solid Lid
CHDX6-228C	Polycarb, Transparent Lid
CHDX6-328	ABS, Solid Lid
CHDX6-328C	ABS, Transparent Lid



 CAMDENBOSS JAMES CARTER RD, MILDENHALL, SUFFOLK. IP28 7DE TEL: 01638 716101 FAX: 01638 716554 EMAIL: Sales@CamdenBoss.com WEB: www.CamdenBoss.com			UNLESS OTHERWISE SPECIFIED: DIMENSIONS ARE IN MILLIMETERS		GENERAL TOLERANCES +/- 0.2		REVISION. <input type="checkbox"/>	
			FINISH. GLOSS LID, BASE LIGHT SPARK		TITLE: X6 Series Knock out Enclosure, 250x80x85			
DRAWN ALWIN B.K			SIGNED ABK		DATE 08/12/17		MATERIAL. SEE TABLE	
CHK'D A.GOODENOUGH			SIGNED A.G		DATE 08/12/17		PROJECTION. 	
					DWG NO. CHDX6 (250x80x85)		A4	
					SCALE: 1:3		SHEET 1 OF 1	
							DO NOT SCALE DRAWING	