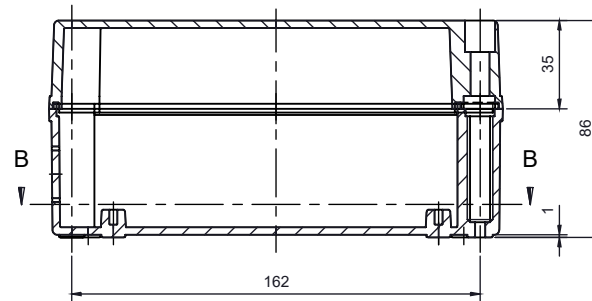
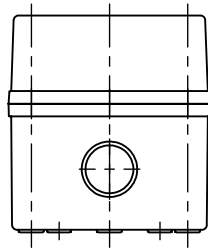
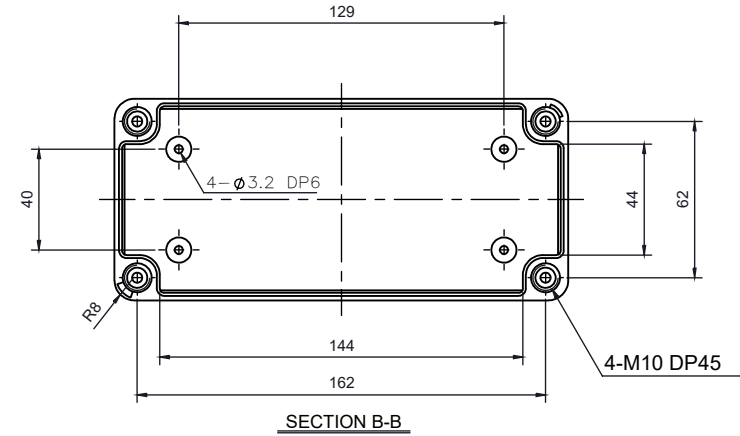
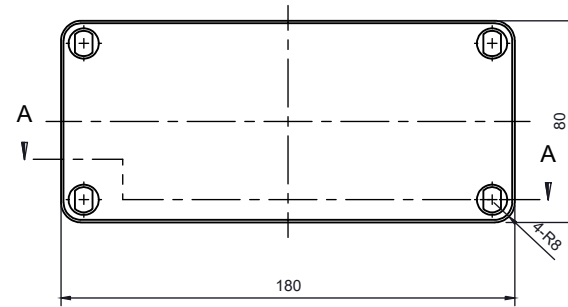
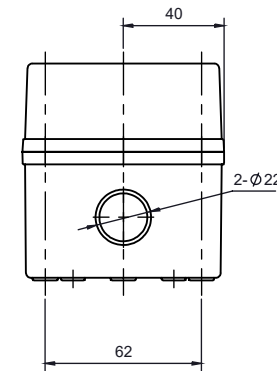




PART NUMBER	Description
CHDX6-226	Polycarb, Solid Lid
CHDX6-226C	Polycarb, Transparent Lid
CHDX6-326	ABS, Solid Lid
CHDX6-326C	ABS, Transparent Lid



SECTION A-A



 <b>CAMDENBOSS</b> JAMES CARTER RD, MILDENHALL, SUFFOLK. IP28 7DE TEL: 01638 716101 FAX: 01638 716554 EMAIL: Sales@CamdenBoss.com WEB: www.CamdenBoss.com			UNLESS OTHERWISE SPECIFIED: DIMENSIONS ARE IN MILLIMETERS		GENERAL TOLERANCES +/- 0.2		REVISION. ○	
			FINISH. LID GLOSS, BASE LIGHT SPARK		TITLE: X6 Series Knock out Enclosure, 180x80x85			
DRAWN ALWIN B.K ABK 08/12/17 CHK'D A.GOODENOUGH A.G 08/12/17			COLOUR. LIGHT SPARK		MATERIAL. SEE TABLE		DWG NO. CHDX6 (180x80x85) A4	
			PROJECTION. 		SCALE. 1:3		SHEET 1 OF 1	