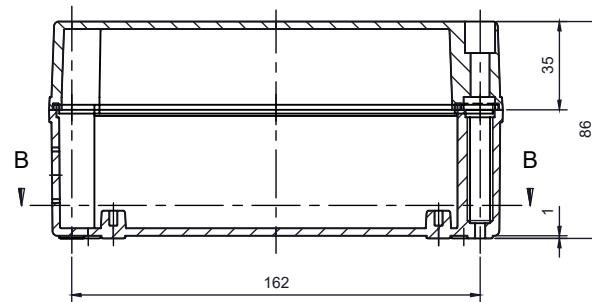
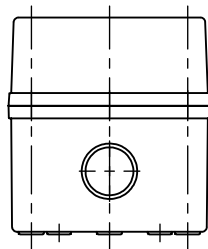
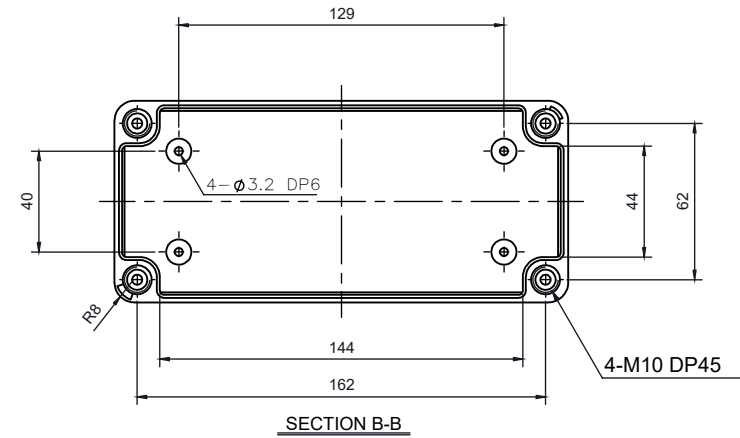
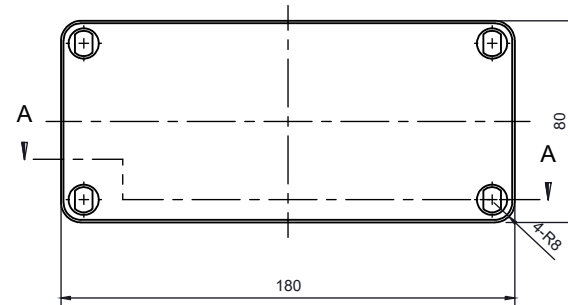
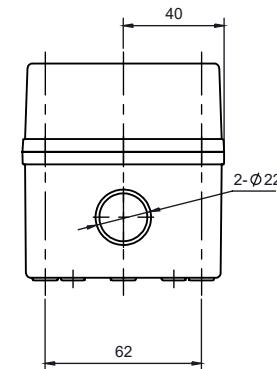




PART NUMBER	Description
CHDX6-226	Polycarb, Solid Lid
CHDX6-226C	Polycarb, Transparent Lid
CHDX6-326	ABS, Solid Lid
CHDX6-326C	ABS, Transparent Lid



SECTION A-A



 CAMDENBOSS JAMES CARTER RD, MILDENHALL, SUFFOLK. IP28 7DE TEL: 01638 716101 FAX: 01638 716554 EMAIL: Sales@CamdenBoss.com WEB: www.CamdenBoss.com			UNLESS OTHERWISE SPECIFIED: DIMENSIONS ARE IN MILLIMETERS		GENERAL TOLERANCES +/- 0.2		REVISION. ○			
			FINISH. LID GLOSS, BASE LIGHT SPARK		TITLE: X6 Series Knock out Enclosure, 180x80x85					
DRAWN ALWIN B.K			SIGNED ABK		DATE 08/12/17		MATERIAL. SEE TABLE		DWG NO. CHDX6 (180x80x85) A4	
CHK'D A.GOODENOUGH			SIGNED A.G		DATE 08/12/17		PROJECTION. 		SCALE: 1:3 SHEET 1 OF 1 DO NOT SCALE DRAWING	