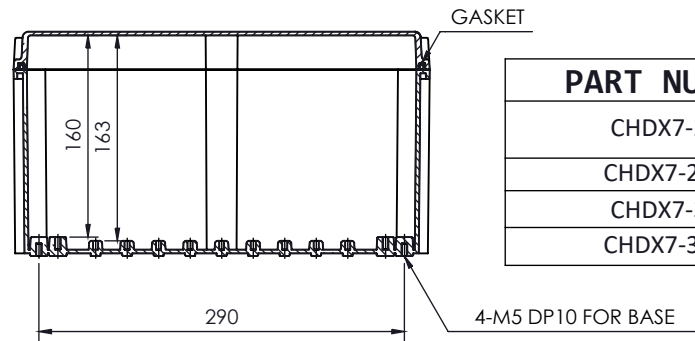
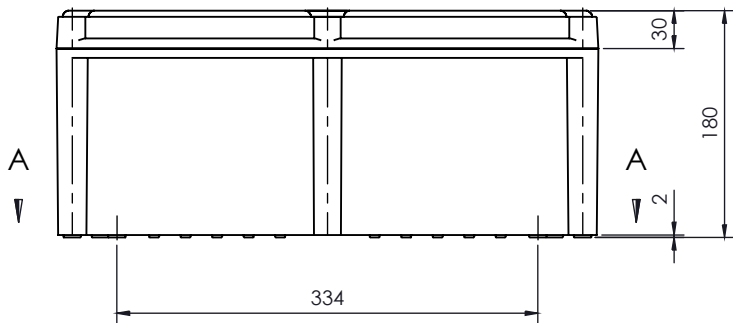


SECTION A-A



PART NUMBER	DESCRIPTION
CHDX7-225	Polycarb, Solid Lid
CHDX7-225C	Polycarb, Transparent Lid
CHDX7-325	ABS, Solid Lid
CHDX7-325C	ABS, Transparent Lid

CAMDENBOSS
 JAMES CARTER RD, MILDENHALL, SUFFOLK. IP28 7DE
 TEL: 01638 716101 FAX: 01638 716554
 EMAIL: Sales@CamdenBoss.com
 WEB: www.CamdenBoss.com

UNLESS OTHERWISE SPECIFIED:
 DIMENSIONS ARE IN MILLIMETERS

GENERAL TOLERANCES +/- 0.2

REVISION: ○

FINISH:
 CLEAN & BURR FREE

TITLE: **X7 Series Heavy Duty Case,
 330x430x180**

COLOUR:
 LIGHT GREY

MATERIAL:
 SEE TABLE

DWG NO. **CHDX7 (330x430x180)**

A4

	NAME	SIGNED	DATE
DRAWN	A.GOODNEOUGH	A.G	08/12/17
CHK'D	J.DICKINSON	J.H.D	08/12/17

PROJECTION:

SCALE: 1:6

SHEET 1 OF 1

DO NOT SCALE DRAWING