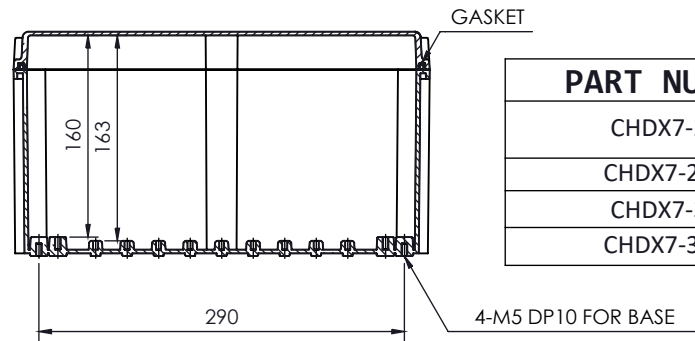
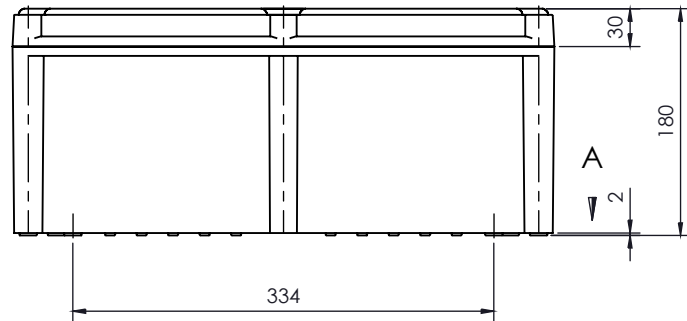


SECTION A-A



PART NUMBER	DESCRIPTION
CHDX7-225	Polycarb, Solid Lid
CHDX7-225C	Polycarb, Transparent Lid
CHDX7-325	ABS, Solid Lid
CHDX7-325C	ABS, Transparent Lid

<p>CAMDENBOSS JAMES CARTER RD, MILDENHALL, SUFFOLK. IP28 7DE TEL: 01638 716101 FAX: 01638 716554 EMAIL: Sales@CamdenBoss.com WEB: www.CamdenBoss.com</p>			UNLESS OTHERWISE SPECIFIED: DIMENSIONS ARE IN MILLIMETERS	GENERAL TOLERANCES +/- 0.2	REVISION. ○
			FINISH. CLEAN & BURR FREE	TITLE: X7 Series Heavy Duty Case, 330x430x180	
	COLOUR. LIGHT GREY	MATERIAL. SEE TABLE	DWG NO. CHDX7 (330x430x180)	A4	
DRAWN CHK'D	A.GOODNEOUGH J.DICKINSON	SIGNED A.G J.H.D	DATE 08/12/17 08/12/17	PROJECTION.	SCALE: 1:6
			SHEET 1 OF 1		DO NOT SCALE DRAWING