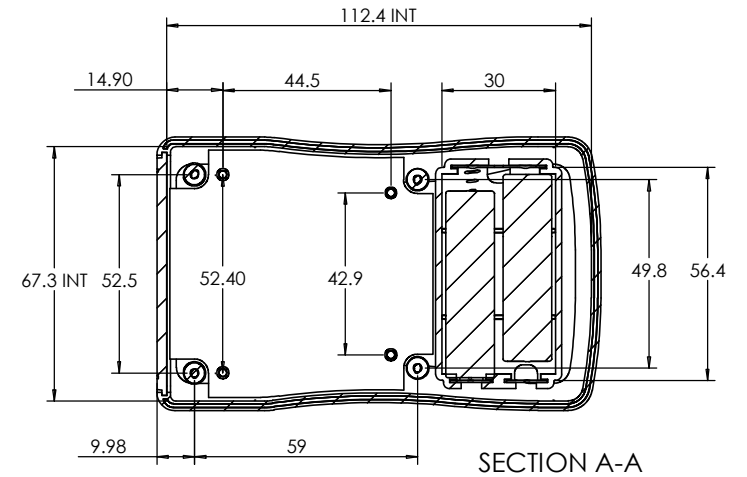
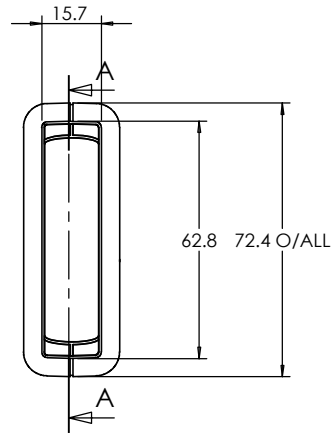
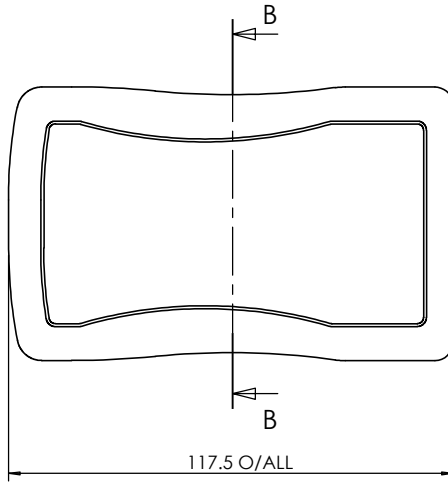
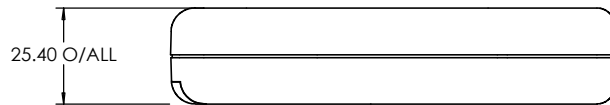


SECTION B-B



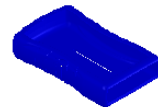
SECTION A-A



RUBBER BOOT (OPTIONAL)



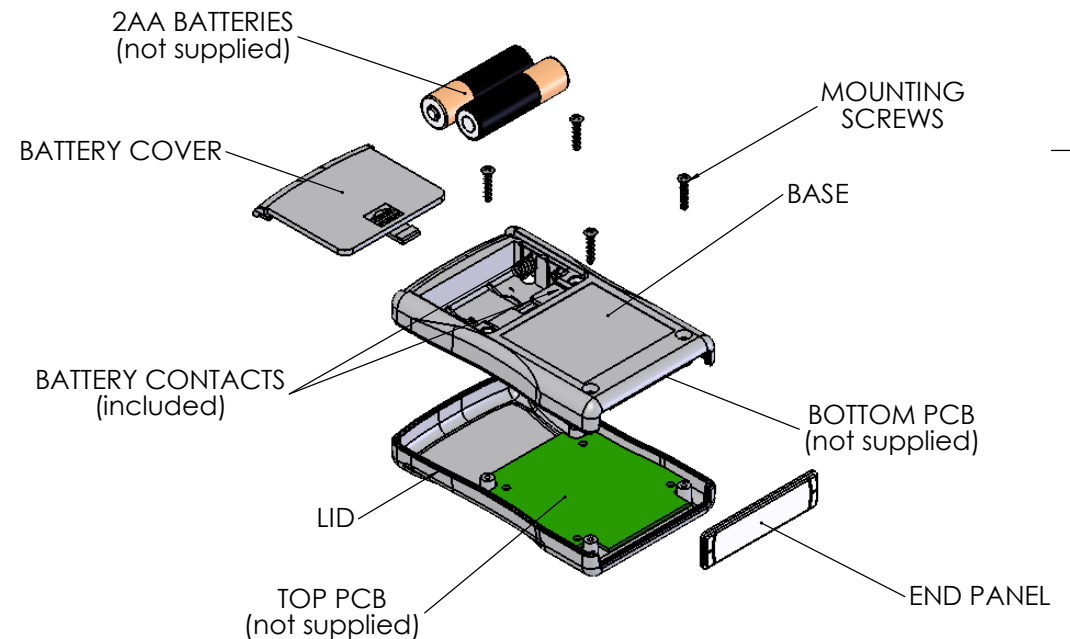
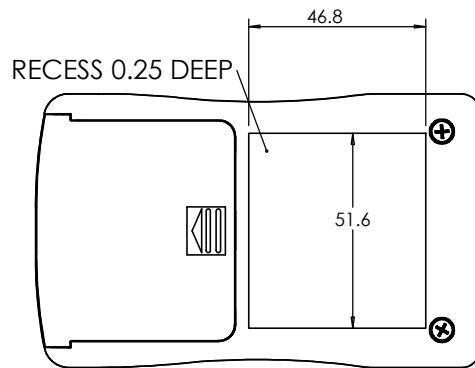
CHH451BBK


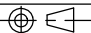


CHH451BBL



CHH451BRD



 CAMDENBOSS JAMES CARTER RD, MILDENHALL, SUFFOLK, IP28 7DE TEL: 01638 716101 FAX: 01638 716554 EMail: Sales@CamdenBoss.com WEB: www.CamdenBoss.com		UNLESS OTHERWISE SPECIFIED: DIMENSIONS ARE IN MILLIMETERS		DO NOT SCALE DRAWING	REVISION. 0
		FINISH: FINE TEXTURE		TITLE: GENERAL ASSEMBLY DRG FOR 45 SERIES PALM CASES	
DRAWN	L SUBKHANKULOVA	SIGNED	LS	DATE	05/01/11
CHK'D	L DROBKA	SIGNED	LS	DATE	05/01/11
MATERIAL: UL94-5VA ABS BLACK		DWG NO.		CHH451ABK	
PROJECTION.				SCALE: 1 : 2	SHEET 1 OF 1
				A4	