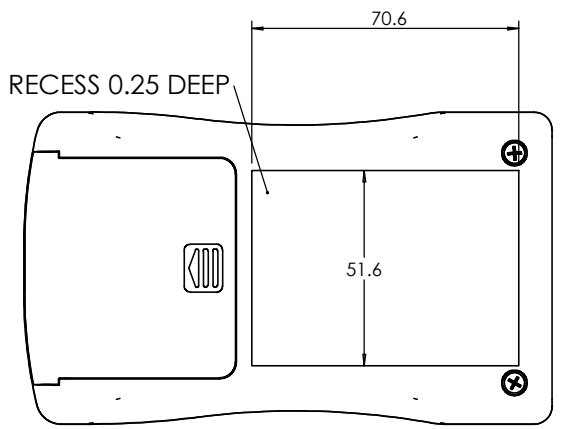
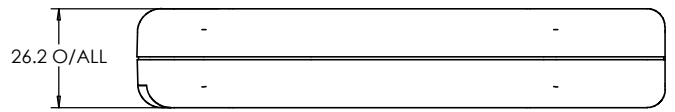
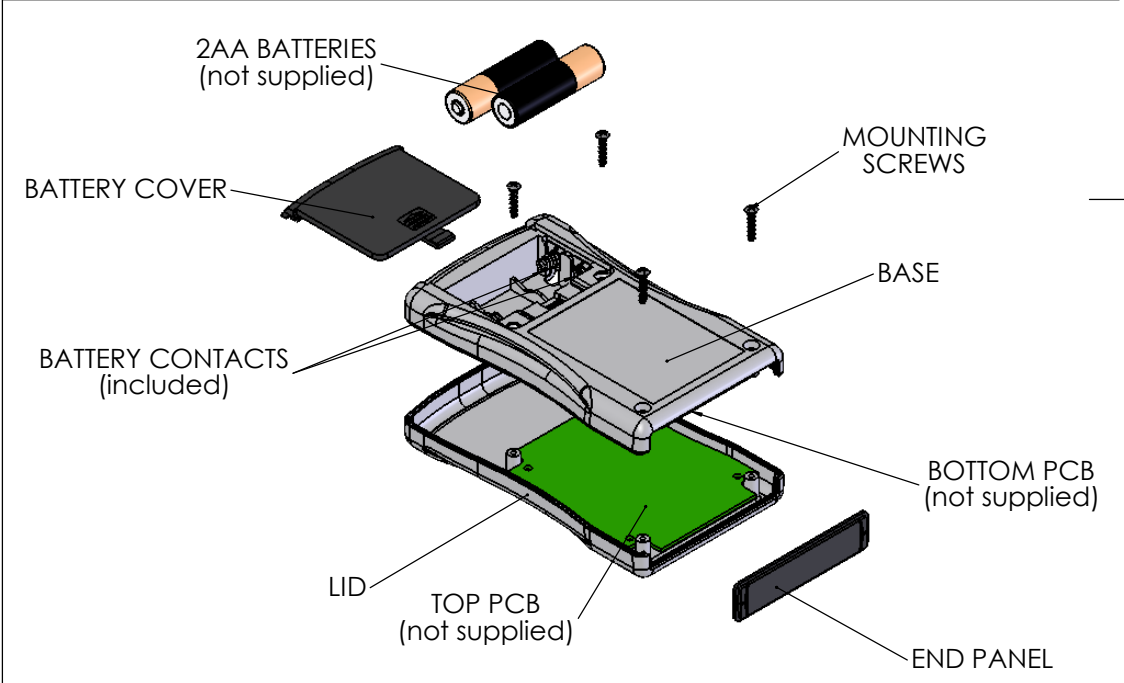
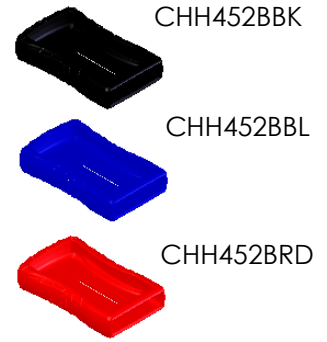


SECTION B-B



**RUBBER BOOT (OPTIONAL)**



<p><b>CAMDENBOSS</b>          JAMES CARTER RD, MILDENHALL, SUFFOLK, IP28 7DE          TEL: 01638 716101 FAX: 01638 716554          EMAIL: Sales@CamdenBoss.com          WEB: www.CamdenBoss.com</p>		UNLESS OTHERWISE SPECIFIED: DIMENSIONS ARE IN MILLIMETERS	DO NOT SCALE DRAWING	REVISION. 0		
		FINISH: <b>FINE TEXTURE</b>	TITLE: <b>GENERAL ASSEMBLY DRG FOR 45 SERIES PALM CASES</b>			
DRAWN	NAME	SIGNED	DATE	MATERIAL: <b>UL94-5VA ABS BLACK</b>	DWG NO. <b>CHH452ABK</b>	<b>A4</b>
CHK'D	L.SUBHANKULOVA	LS	06/01/11	PROJECTION.	SCALE: 1 : 2	