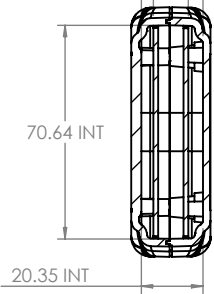
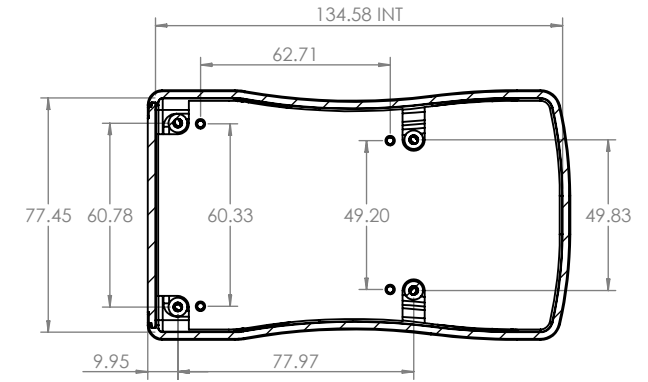
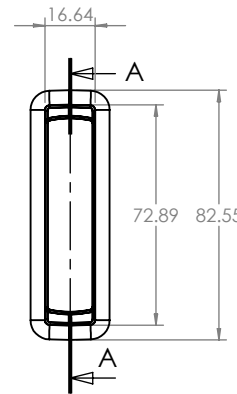
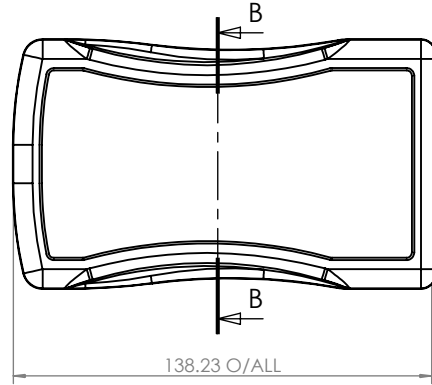


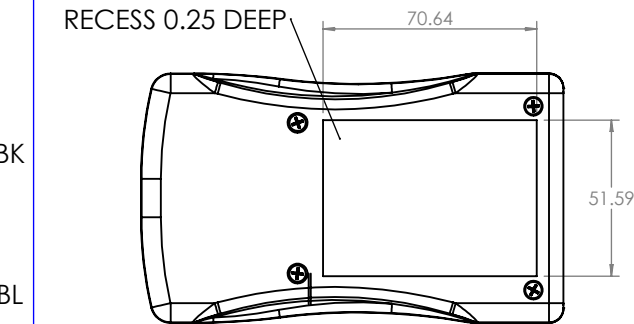
4.01 PILLAR HEIGHT
4.78 PILLAR HEIGHT



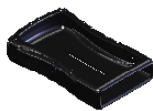
SECTION B-B



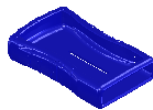
SECTION A-A



RUBBER BOOT (OPTIONAL)



CHH452BBK



CHH452BBL



CHH452BRD

MOUNTING SCREWS

BOTTOM PCB (NOT SUPPLIED)

TOP PCB (NOT SUPPLIED)

BASE

LID

END PANEL



CAMDENBOSS

JAMES CARTER RD, MILDENHALL, SUFFOLK. IP28 7DE
TEL: 01638 716101 FAX: 01638 716554
EMAIL: Sales@CamdenBoss.com
WEB: www.CamdenBoss.com

UNLESS OTHERWISE SPECIFIED:
DIMENSIONS ARE IN MILLIMETERS

DO NOT SCALE DRAWING

REVISION. 0

GENERAL TOLERANCES +/- 0.2

TITLE: **GENERAL ASSEMBLY DRAWING
FOR 45 SERIES PALM CASES**

FINISH. **FINE TEXTURE**

DWG NO.

CHH452NBK

A4

	NAME	SIGNED	DATE
DRAWN	JAMIE JACOBS	JNJ	15/11/12
CHK'D	-	-	-

MATERIAL. **UL94-5VA ABS BLACK**

PROJECTION.

SCALE: 2: 5

SHEET 1 OF 1