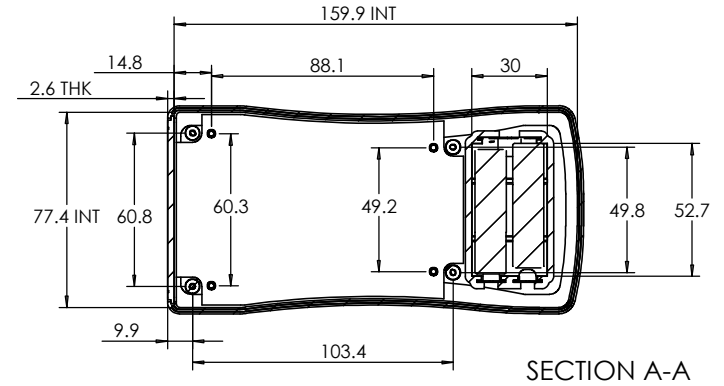
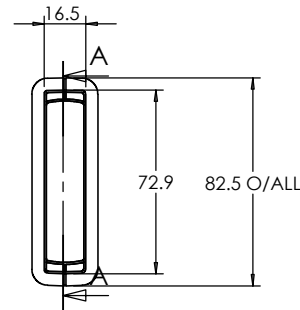
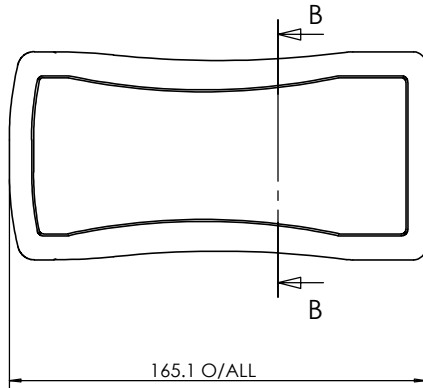
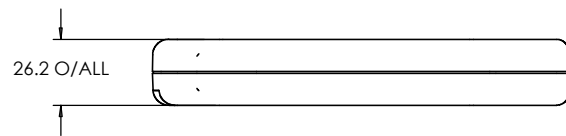


SECTION B-B



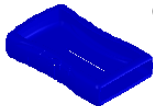
SECTION A-A



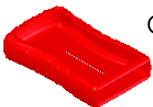
RUBBER BOOT (OPTIONAL)



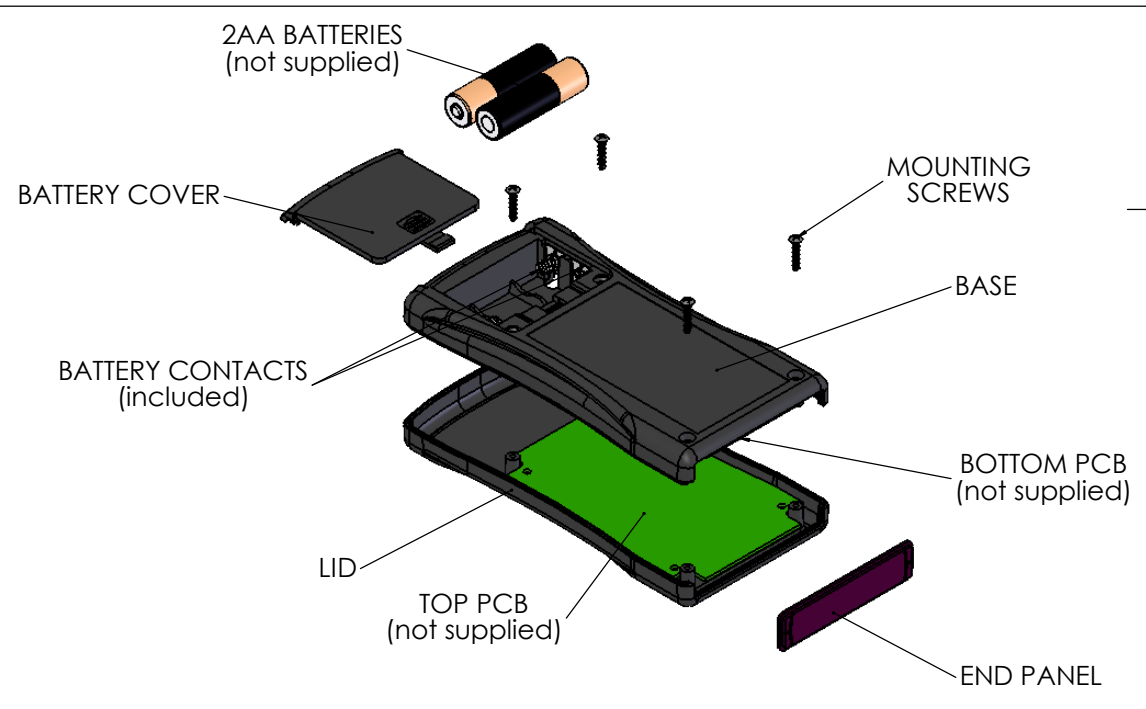
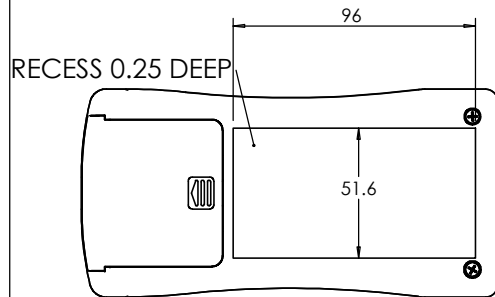
CHH453BBK



CHH453BBL



CHH453BRD



<p>CAMDENBOSS JAMES CARTER RD, MILDENHALL, SUFFOLK, IP28 7DE TEL: 01638 716101 FAX: 01638 716554 EMail: Sales@CamdenBoss.com WEB: www.CamdenBoss.com</p>		UNLESS OTHERWISE SPECIFIED: DIMENSIONS ARE IN MILLIMETERS	DO NOT SCALE DRAWING	REVISION. 0		
		FINISH. FINE TEXTURE	TITLE: GENERAL ASSEMBLY DRG FOR 45 SERIES PALM CASES			
DRAWN	NAME	SIGNED	DATE	MATERIAL. UL94-5VA ABS BLACK	DWG NO. CHH453ABK	A4
CHK'D	L.SUBHANKULOVA	LS	06/01/11	PROJECTION.	SCALE: 1 : 3	