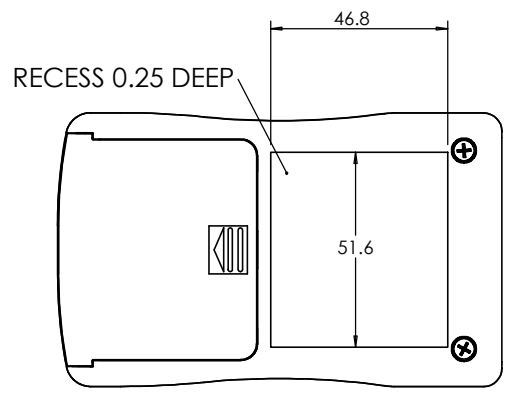
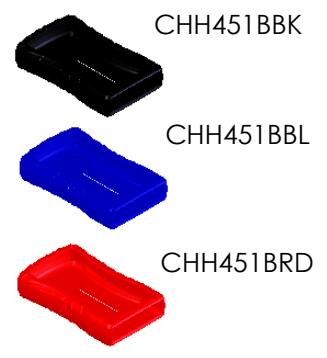
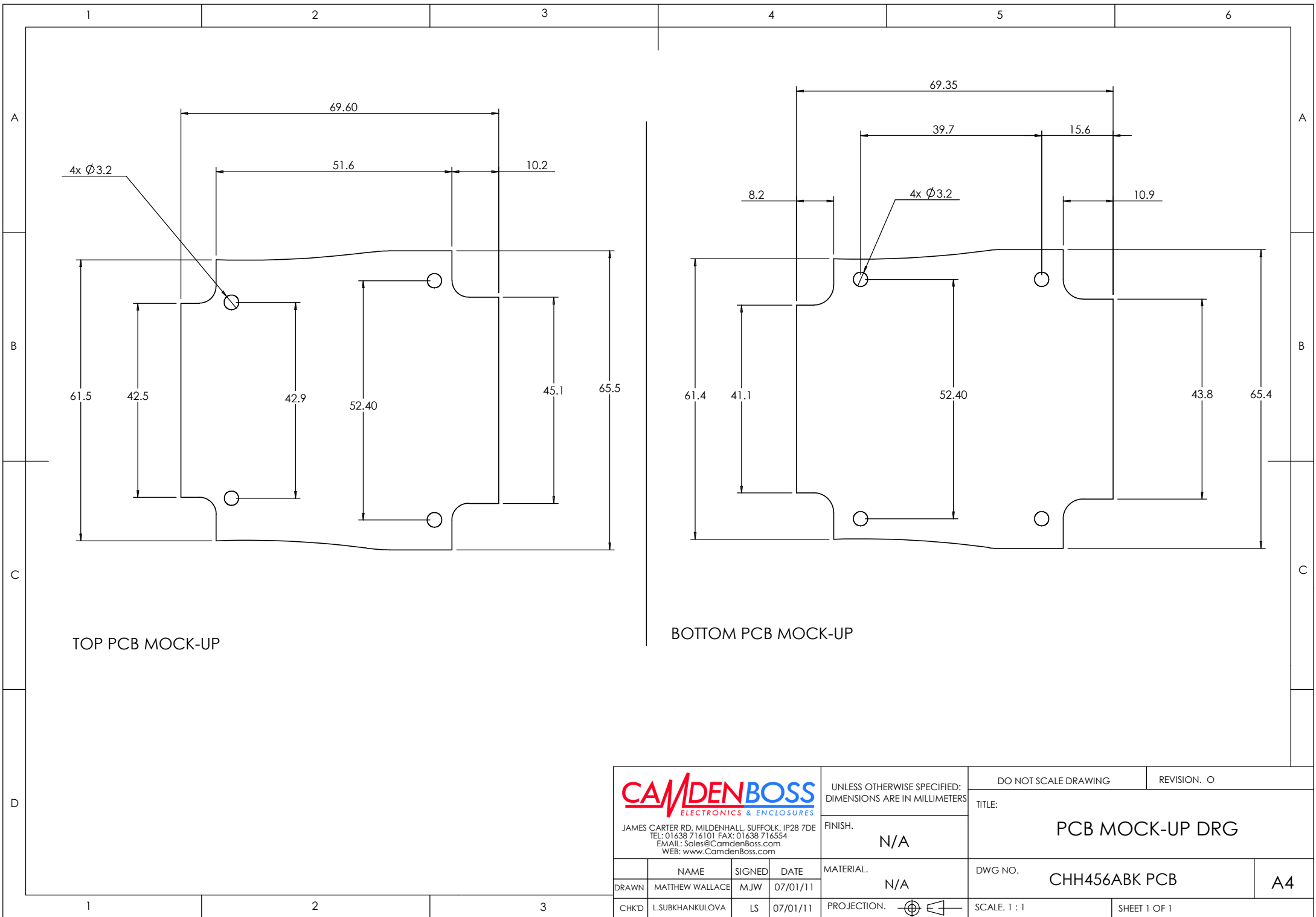


**RUBBER BOOT (OPTIONAL)**



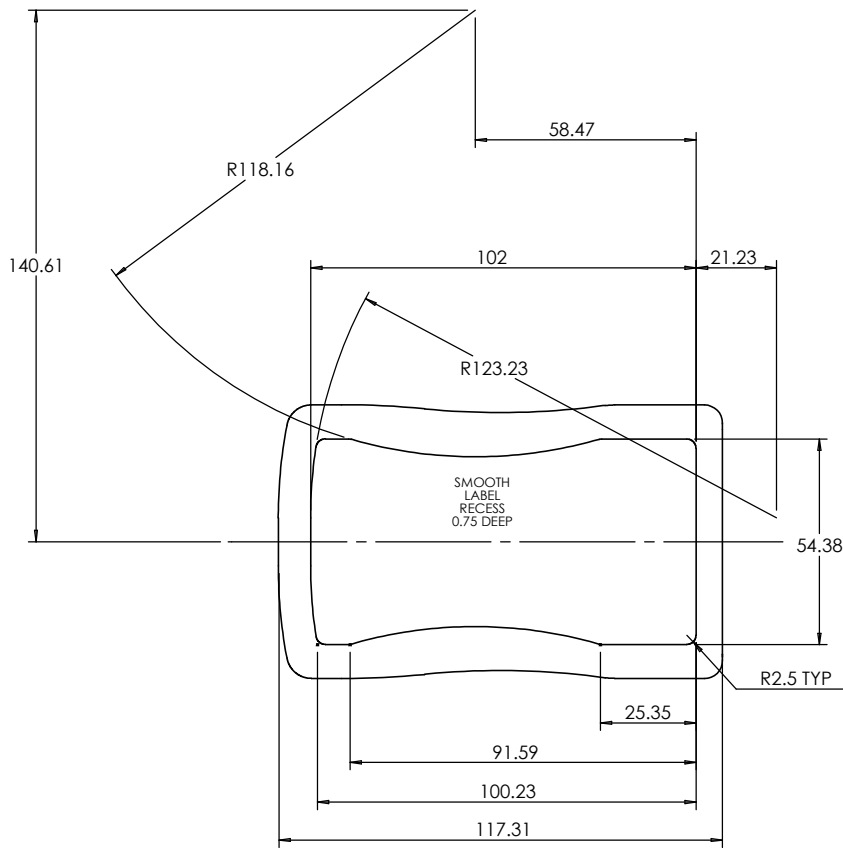
<p><b>CAMDENBOSS</b> JAMES CARTER RD, MILDENHALL, SUFFOLK, IP28 7DE TEL: 01638 716101 FAX: 01638 716554 E-MAIL: Sales@CamdenBoss.com WEB: www.CamdenBoss.com</p>		UNLESS OTHERWISE SPECIFIED: DIMENSIONS ARE IN MILLIMETERS	DO NOT SCALE DRAWING	REVISION. 0		
		FINISH: FINE TEXTURE SMOOTH LABEL RECESS	TITLE: <b>GENERAL ASSEMBLY DRG FOR 45 SERIES PALM CASES</b>			
DRAWN	NAME	SIGNED	DATE	MATERIAL: UL94-5VA ABS BLACK	DWG NO. <b>CHH456ABK</b>	A4
CHK'D	L.SUBKHANKULOVA	LS	07/01/11	PROJECTION.	SCALE: 1 : 2	SHEET 1 OF 1



TOP PCB MOCK-UP

BOTTOM PCB MOCK-UP

<p>UNLESS OTHERWISE SPECIFIED: DIMENSIONS ARE IN MILLIMETERS</p>				DO NOT SCALE DRAWING		REVISION. 0	
				TITLE: PCB MOCK-UP DRG			
<p>JAMES CARTER RD, MILDENHALL, SUFFOLK, IP28 7DE TEL: 01638 716101 FAX: 01638 716554 E-MAIL: Sales@CamdenBoss.com WEB: www.CamdenBoss.com</p>				FINISH. N/A		DWG NO. CHH456ABK PCB	
DRAWN: MATTHEW WALLACE		SIGNED: MJW	DATE: 07/01/11	MATERIAL. N/A		SCALE: 1 : 1	SHEET 1 OF 1
CHK'D: L.SUBKHANKULOVA		SIGNED: LS	DATE: 07/01/11	PROJECTION.		A4	



# CAMDENBOSS

60 JAMES CARTER RD,  
MILDENHALL,  
SUFFOLK. IP28 7DE  
EMAIL: SALES@CAMDENBOSS.COM  
WEB: WWW.CAMDENBOSS.COM

TEL: 01638 716101  
FAX: 01638 716554

UNLESS OTHERWISE SPECIFIED:  
DIMENSIONS ARE IN MILLIMETERS

DO NOT SCALE DRAWING

REVISION. 0

FINISH.  
SMOOTH

TITLE:  
**LABEL RECESS DRAWING  
FOR 45 SERIES PALM CASES**

	NAME	SIGNED	DATE
DRAWN	MATTHEW WALLACE	MJW	02/03/11
CHKD	L. SUBKHANKULOVA	LS	02/03/11

MATERIAL.  
**ABS**

PROJECTION.

DWG NO.  
**CHH456ABK LABEL RECESS**

A4

SCALE. 1 : 2

SHEET 1 OF 1