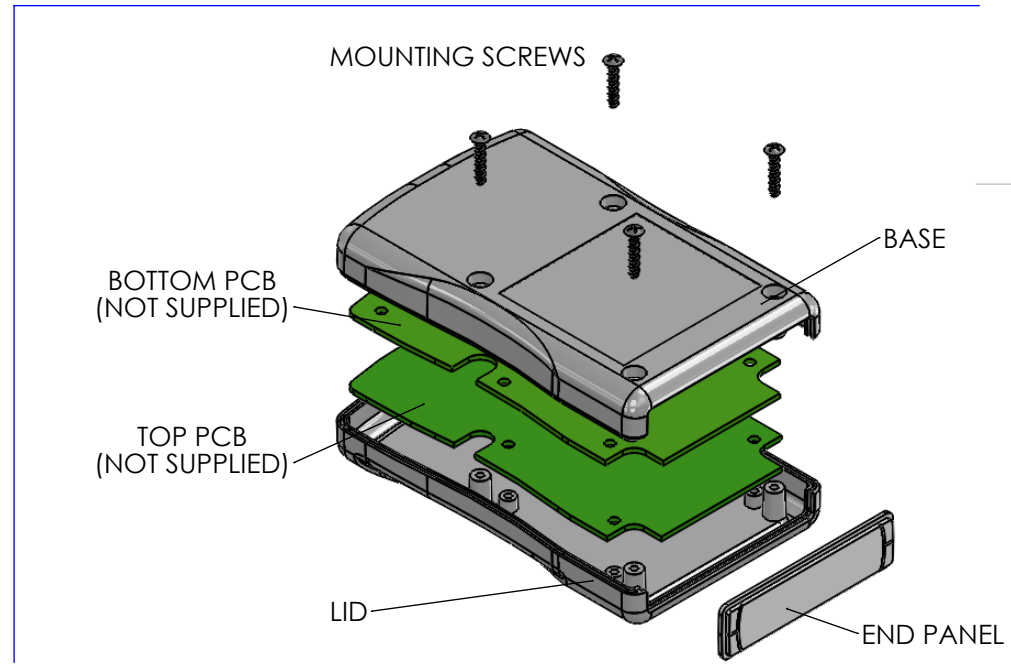


RUBBER BOOT (OPTIONAL)

- CHH456BBK
- CHH456BBL
- CHH456BRD



<p>CAMDENBOSS JAMES CARTER RD, MILDENHALL, SUFFOLK. IP28 7DE TEL: 01638 716101 FAX: 01638 716554 EMAIL: Sales@CamdenBoss.com WEB: www.CamdenBoss.com</p>		UNLESS OTHERWISE SPECIFIED: DIMENSIONS ARE IN MILLIMETERS	DO NOT SCALE DRAWING	REVISION. 0
		GENERAL TOLERANCES +/- 0.2	TITLE: GENERAL ASSEMBLY DRAWING FOR 45 SERIES PALM CASES	
DRAWN: JAMIE JACOBS		SIGNED: JNJ	DATE: 15/11/12	MATERIAL: UL94-5VA ABS BLACK
CHKD: -	-	-	-	PROJECTION:
DWG NO. CHH456NBK			A4	
SCALE: 1 : 2			SHEET 1 OF 1	