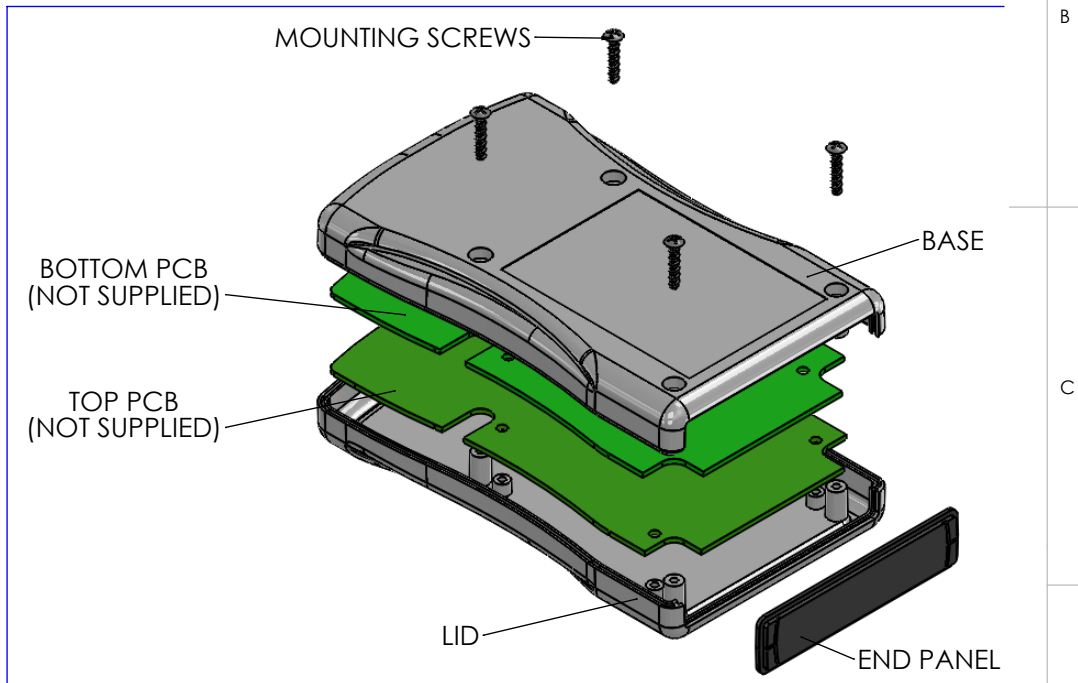


- RUBBER BOOT (OPTIONAL)**
- CHH457BBK
 - CHH457BBL
 - CHH457BRD



<p>CAMDENBOSS JAMES CARTER RD, MILDENHALL, SUFFOLK. IP28 7DE TEL: 01638 716101 FAX: 01638 716554 EMAIL: Sales@CamdenBoss.com WEB: www.CamdenBoss.com</p>			UNLESS OTHERWISE SPECIFIED: DIMENSIONS ARE IN MILLIMETERS	DO NOT SCALE DRAWING	REVISION. 0
			GENERAL TOLERANCES +/- 0.2	TITLE: GENERAL ASSEMBLY DRAWING FOR 45 SERIES PALM CASES	
			FINISH: FINE TEXTURE		
			MATERIAL: UL94-5VA ABS BLACK	DWG NO. CHH457NBK	A4
DRAWN CHKD	NAME JAMIE JACOBS	SIGNED JNJ	DATE 15/11/12	PROJECTION.	SCALE: 1 : 2
				SHEET 1 OF 1	