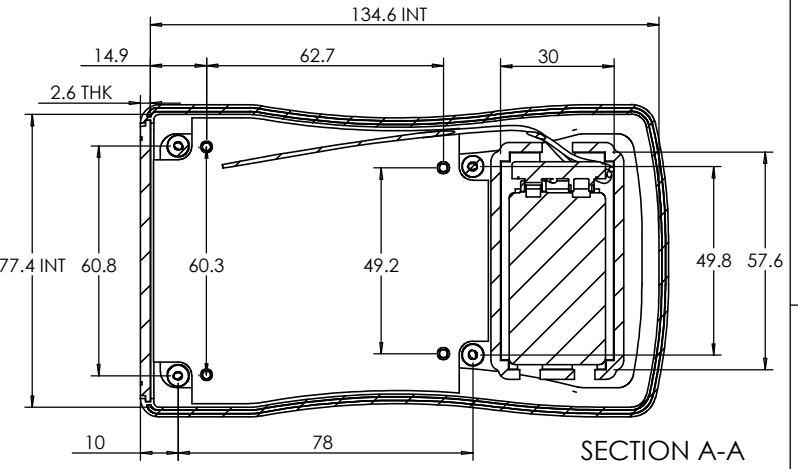
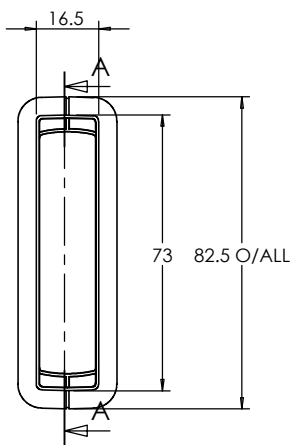
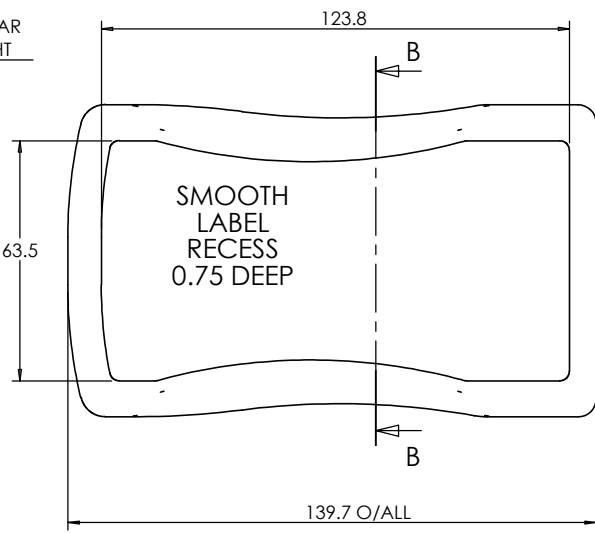
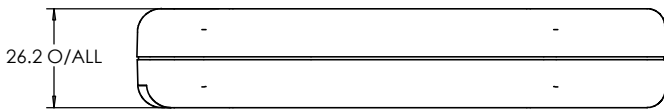


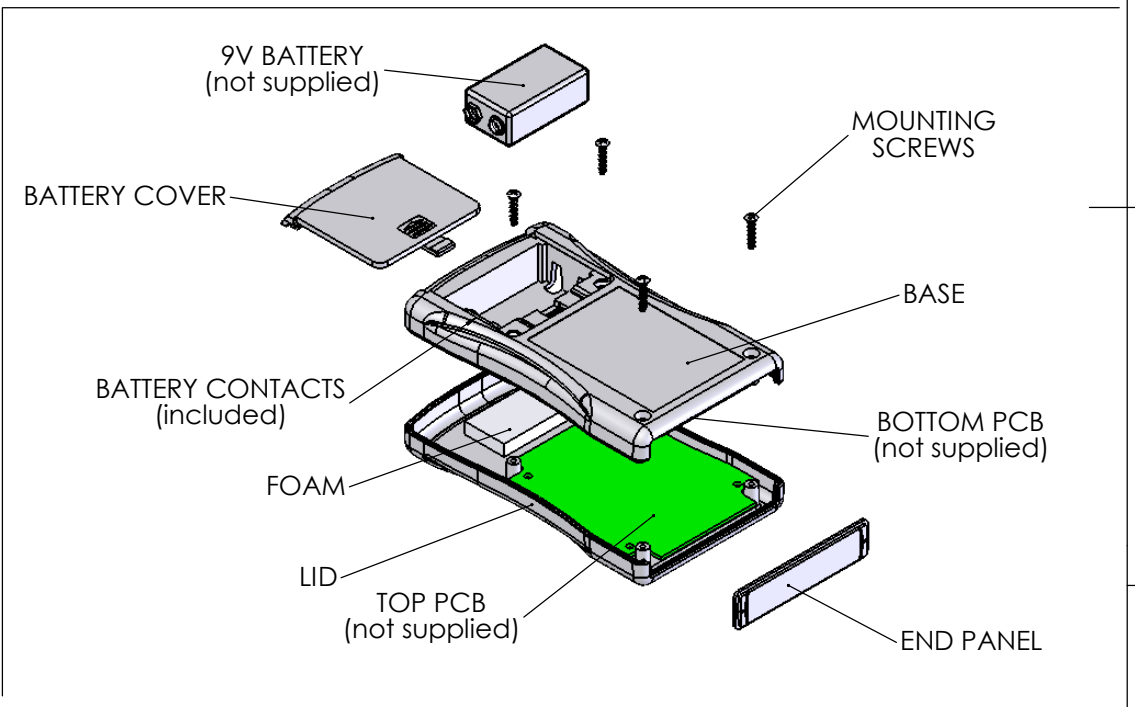
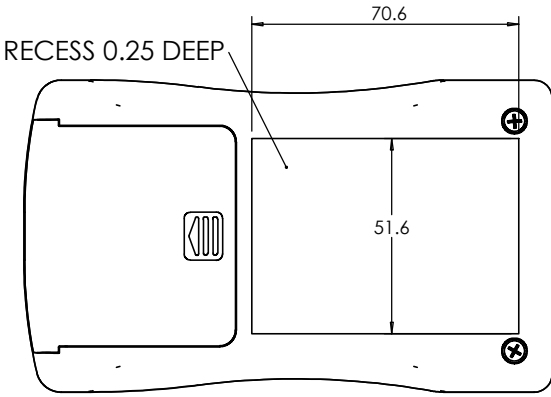
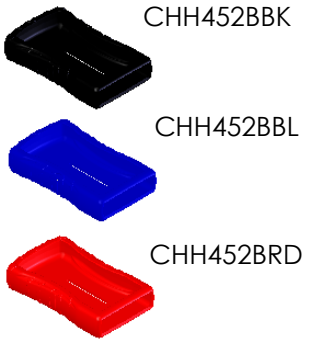
SECTION B-B



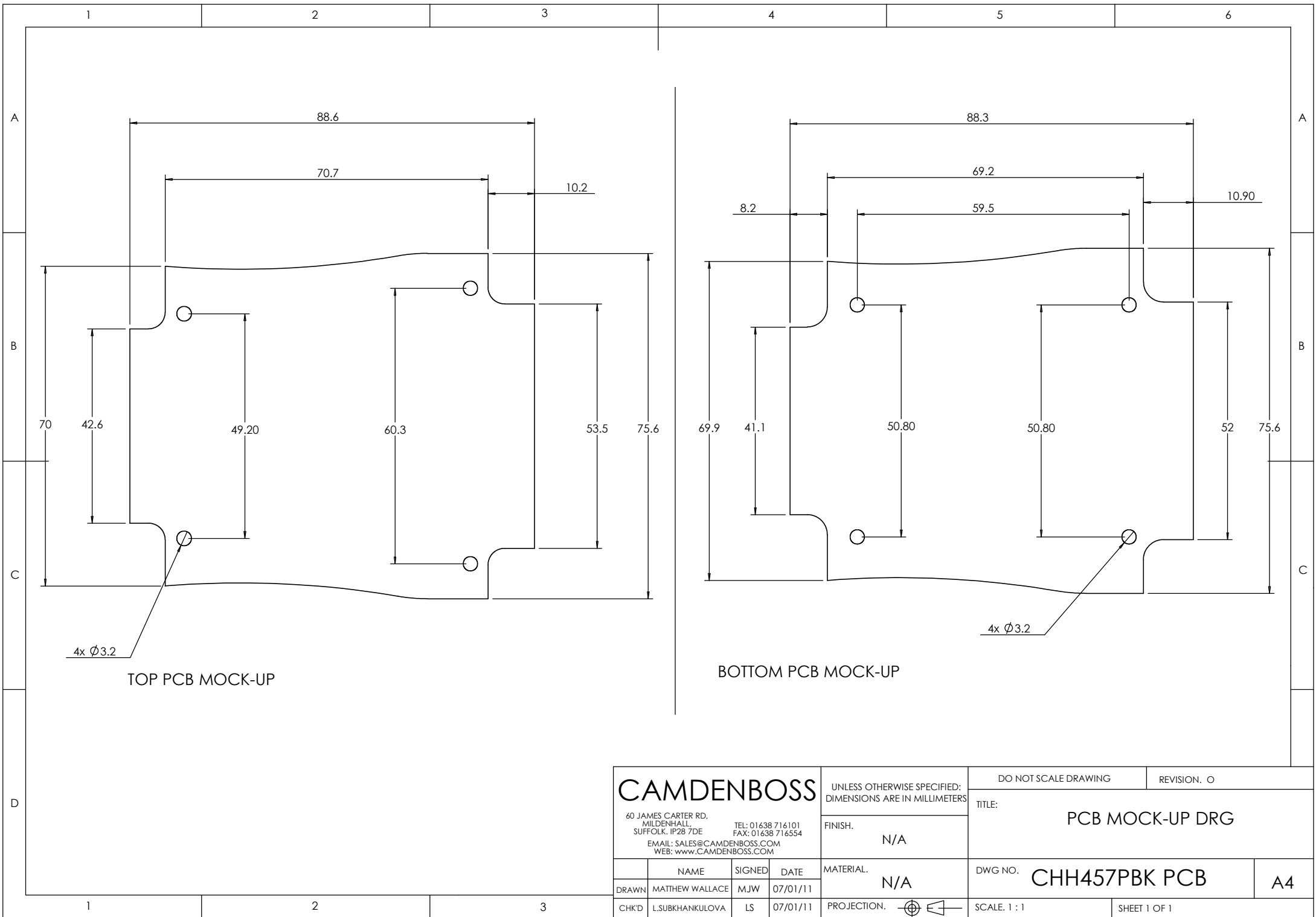
SECTION A-A



RUBBER BOOT (OPTIONAL)



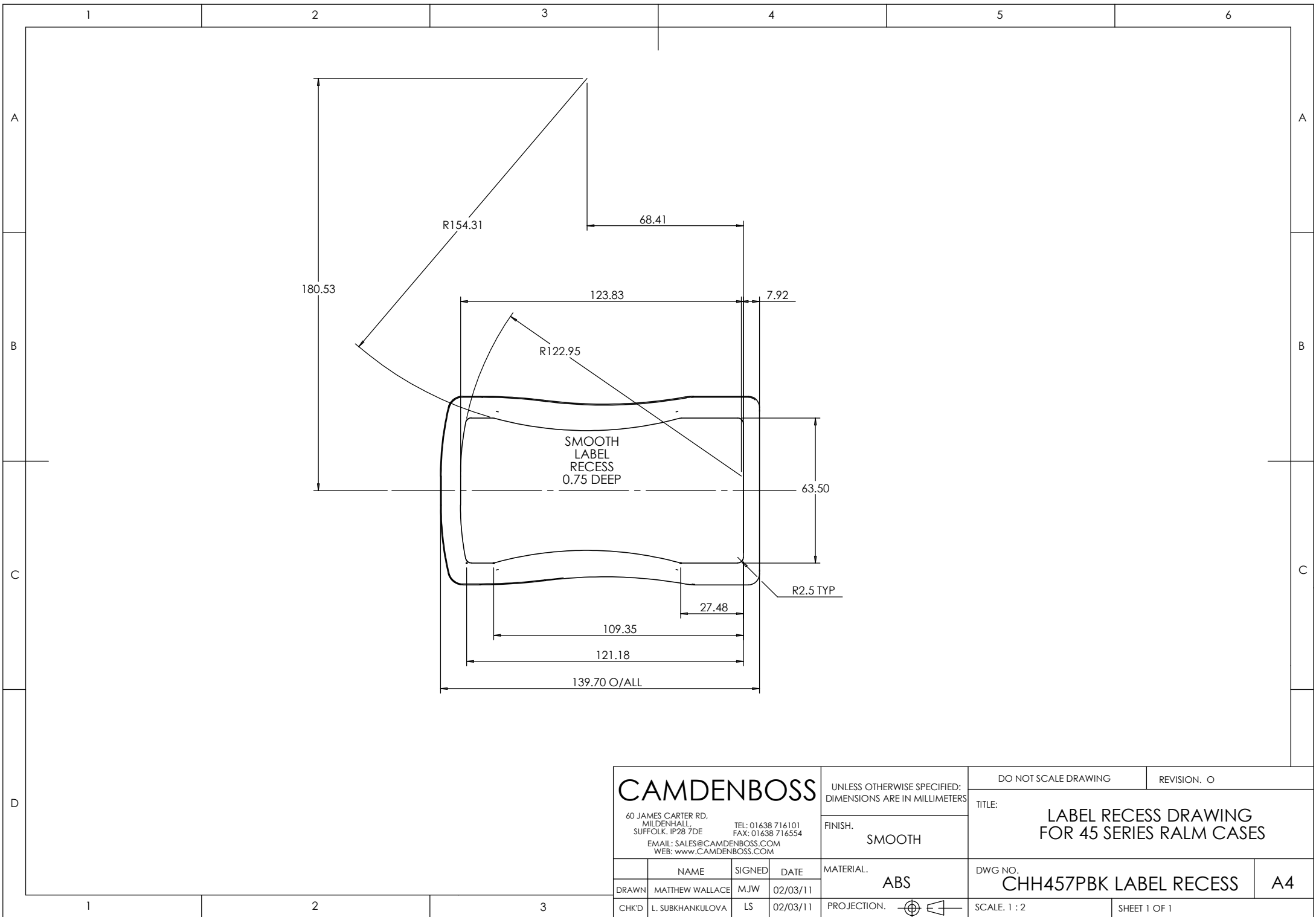
<p>CAMDENBOSS JAMES CARTER RD, MILDENHALL, SUFFOLK, IP28 7DE TEL: 01638 716101 FAX: 01638 716554 EMAIL: Sales@CamdenBoss.com WEB: www.CamdenBoss.com</p>		UNLESS OTHERWISE SPECIFIED: DIMENSIONS ARE IN MILLIMETERS	DO NOT SCALE DRAWING	REVISION. 0		
		FINISH: FINE TEXTURE SMOOTH LABEL RECESS	TITLE: GENERAL ASSEMBLY DRG FOR 45 SERIES PALM CASES			
DRAWN	NAME	SIGNED	DATE	MATERIAL: UL94-5VA ABS BLACK	DWG NO. CHH457PBK	A4
CHK'D	L.SUBHANKULOVA	LS	07/01/11	PROJECTION.	SCALE: 1 : 2	SHEET 1 OF 1



TOP PCB MOCK-UP

BOTTOM PCB MOCK-UP

CAMDENBOSS 60 JAMES CARTER RD, MILDENHALL, SUFFOLK. IP28 7DE TEL: 01638 716101 FAX: 01638 716554 EMAIL: SALES@CAMDENBOSS.COM WEB: WWW.CAMDENBOSS.COM				UNLESS OTHERWISE SPECIFIED: DIMENSIONS ARE IN MILLIMETERS		DO NOT SCALE DRAWING		REVISION. O		
				FINISH. N/A		TITLE: PCB MOCK-UP DRG				
DRAWN: MATTHEW WALLACE		SIGNED: MJW		DATE: 07/01/11		MATERIAL. N/A		DWG NO. CHH457PBK PCB		A4
CHKD: L.SUBKHANKULOVA		SIGNED: LS		DATE: 07/01/11		PROJECTION.		SCALE: 1 : 1		SHEET 1 OF 1



CAMDENBOSS

60 JAMES CARTER RD,
MILDENHALL,
SUFFOLK. IP28 7DE
EMAIL: SALES@CAMDENBOSS.COM
WEB: WWW.CAMDENBOSS.COM

TEL: 01638 716101
FAX: 01638 716554

UNLESS OTHERWISE SPECIFIED:
DIMENSIONS ARE IN MILLIMETERS

DO NOT SCALE DRAWING

REVISION. 0

TITLE:

**LABEL RECESS DRAWING
FOR 45 SERIES RALM CASES**

FINISH.
SMOOTH

MATERIAL.
ABS

DWG NO.

CHH457PBK LABEL RECESS

A4

	NAME	SIGNED	DATE
DRAWN	MATTHEW WALLACE	MJW	02/03/11
CHKD	L. SUBKHANKULOVA	LS	02/03/11

PROJECTION.

SCALE. 1 : 2

SHEET 1 OF 1