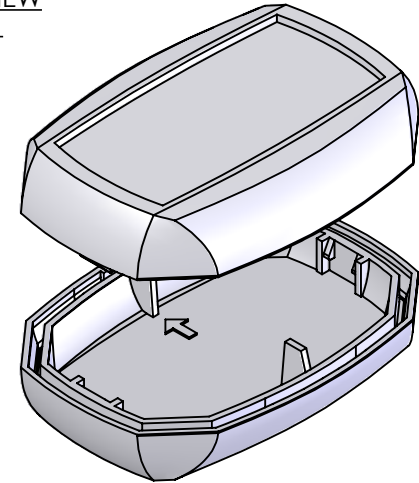
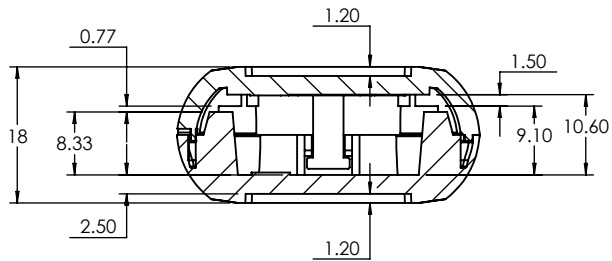


ISO VIEW
1:1

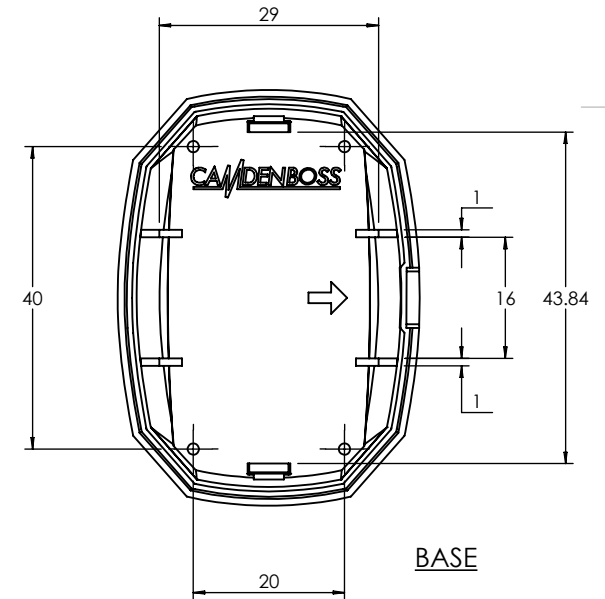


ASSEMBLY





SECTION A-A

LID



BASE

 CAMDENBOSS JAMES CARTER RD, MILDENHALL, SUFFOLK. IP28 7DE TEL: 01638 716101 FAX: 01638 716554 EMAIL: Sales@CamdenBoss.com WEB: www.CamdenBoss.com		UNLESS OTHERWISE SPECIFIED: DIMENSIONS ARE IN MILLIMETERS	DO NOT SCALE DRAWING	REVISION. <input type="checkbox"/>		
		GENERAL TOLERANCES +/- 0.2	TITLE: GNL ASSEMBLY DRG FOR 62 SERIES			
		FINISH: FINE TEXTURE	DWG NO.	CHH621BLK	A4	
DRAWN	IAN PAGANO	I.P.	09/04/14	MATERIAL: UL - 94 V0 ABS		
CHK'D	-	-	-	PROJECTION. 	SCALE: 1:1	SHEET 1 OF 1