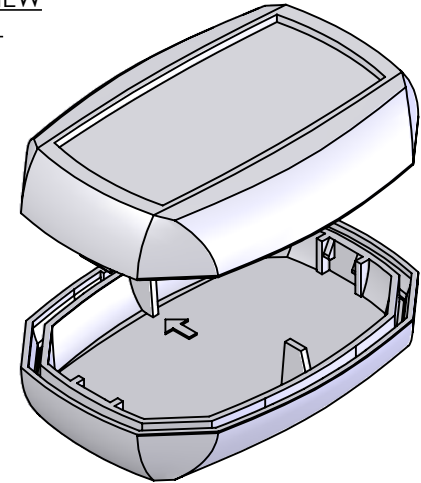
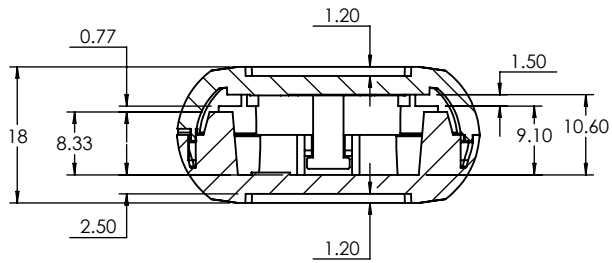


ISO VIEW  
1:1

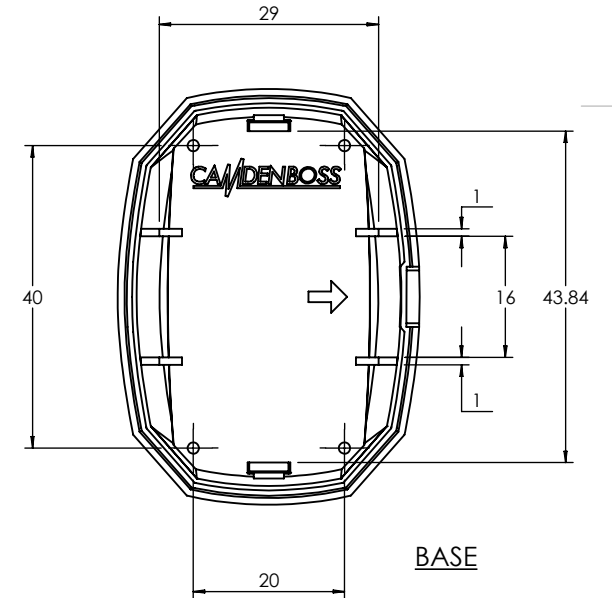


ASSEMBLY





SECTION A-A

LID



BASE

|   |  |                |  |  |  |   |  |                                    |  |
|---|--|----------------|--|--|--|---|--|------------------------------------|--|
| <br><b>CAMDENBOSS</b><br>JAMES CARTER RD, MILDENHALL, SUFFOLK. IP28 7DE<br>TEL: 01638 716101 FAX: 01638 716554<br>EMAIL: Sales@CamdenBoss.com<br>WEB: www.CamdenBoss.com |  |                |  | UNLESS OTHERWISE SPECIFIED:<br>DIMENSIONS ARE IN MILLIMETERS |  | DO NOT SCALE DRAWING  |  | REVISION. <input type="checkbox"/> |  |
|   |  |                |  | GENERAL TOLERANCES +/- 0.2                                   |  | TITLE:<br><b>GNL ASSEMBLY DRG FOR 62 SERIES</b>   |  |                                    |  |
|   |  |                |  | FINISH:<br>FINE TEXTURE                                      |  | DWG NO.<br><b>CHH621GRY</b>   |  | A4                                 |  |
| DRAWN<br>IAN PAGANO   |  | SIGNED<br>I.P. |  | DATE<br>09/04/14   |  | MATERIAL:<br>UL - 94 V0 ABS   |  | SCALE: 1:1                         |  |
| CHK'D<br>-  |  | -              |  | -  |  | PROJECTION.  |  | SHEET 1 OF 1                       |  |