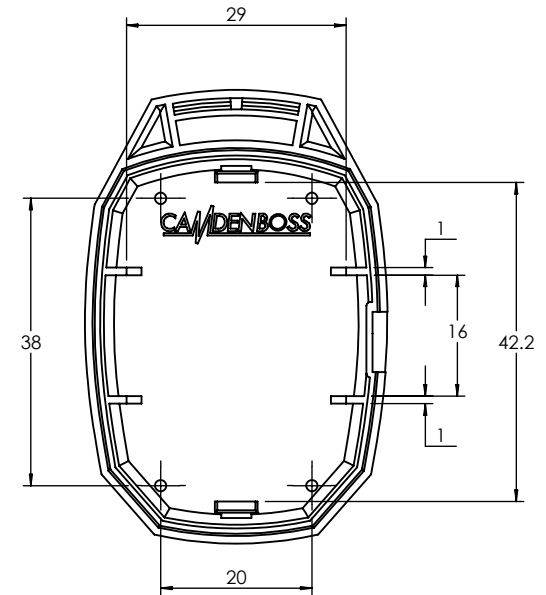
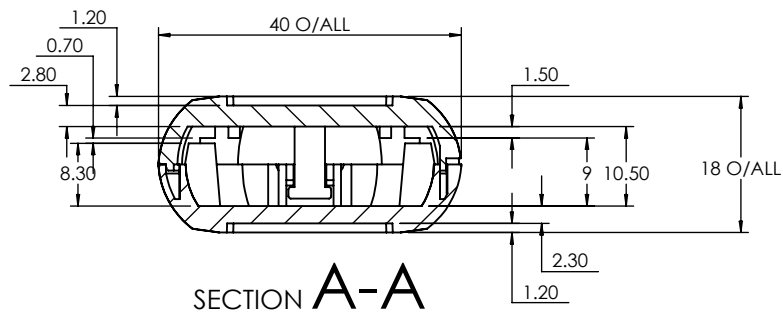
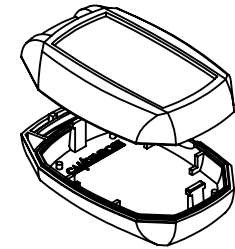




ISO VIEW
1:2



 CAMDENBOSS JAMES CARTER RD, MILDENHALL, SUFFOLK. IP28 7DE TEL: 01638 716101 FAX: 01638 716554 EMAIL: Sales@CamdenBoss.com WEB: www.CamdenBoss.com				UNLESS OTHERWISE SPECIFIED: DIMENSIONS ARE IN MILLIMETERS		DO NOT SCALE DRAWING		REVISION. ○	
				GENERAL TOLERANCES +/- 0.2		TITLE: GNL ASSEMBLY DRG FOR 62 SERIES			
				FINISH: FINE TEXTURE		DWG NO.		CHH622BLK	
				MATERIAL: UL - 94 V0 ABS		SCALE: 1:1		SHEET 1 OF 1	
DRAWN	NAME IAN PAGANO	SIGNED I.P.	DATE 09/04/13	PROJECTION. 				A4	
CHK'D	-	-	-						