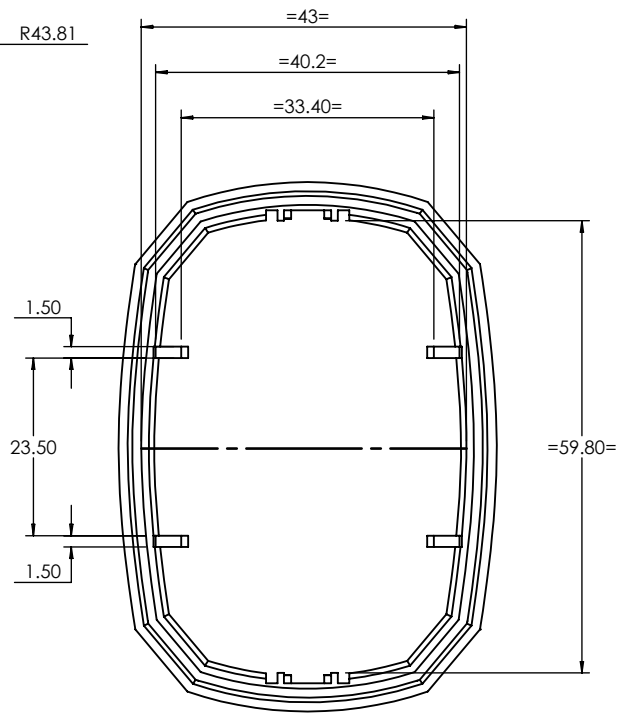
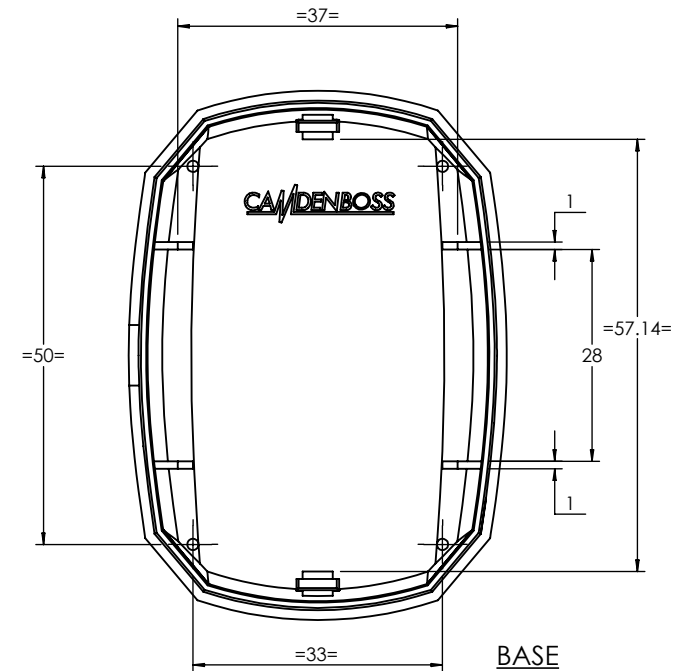


ASSEMBLY

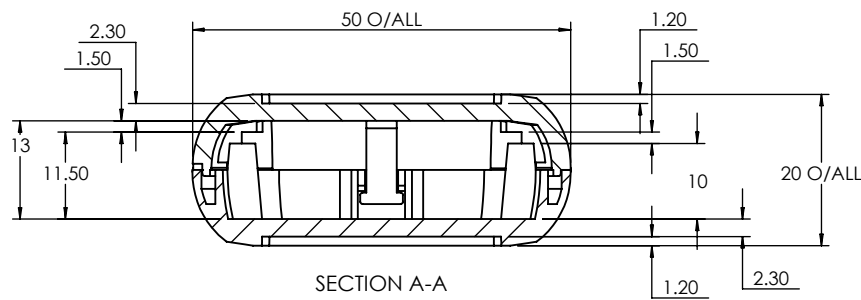
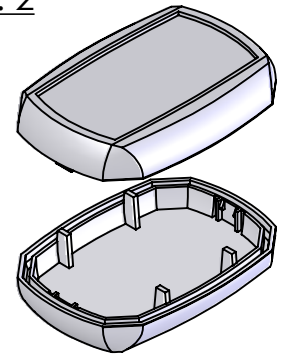


TOP





BASE

ISO VIEW
1:2



SECTION A-A

| | | | | |
|---|-------------|--|---|------------------------------------|
|  CAMDENBOSS JAMES CARTER RD, MILDENHALL, SUFFOLK. IP28 7DE TEL: 01638 716101 FAX: 01638 716554 EMAIL: Sales@CamdenBoss.com WEB: www.CamdenBoss.com | | UNLESS OTHERWISE SPECIFIED: DIMENSIONS ARE IN MILLIMETERS | DO NOT SCALE DRAWING | REVISION. <input type="checkbox"/> |
| | | GENERAL TOLERANCES +/- 0.2 | TITLE: GNL ASSEMBLY DRG FOR 62 SERIES | |
| DRAWN IAN PAGANO | | FINISH. FINE TEXTURE | MATERIAL. UL - 94 V0 ABS | DWG NO. CHH623BLK |
| CHKD - | SIGNED I.P. | DATE 09/04/14 | PROJECTION.  | SCALE: 1:2 |
| | | | SHEET 1 OF 1 | |

A4