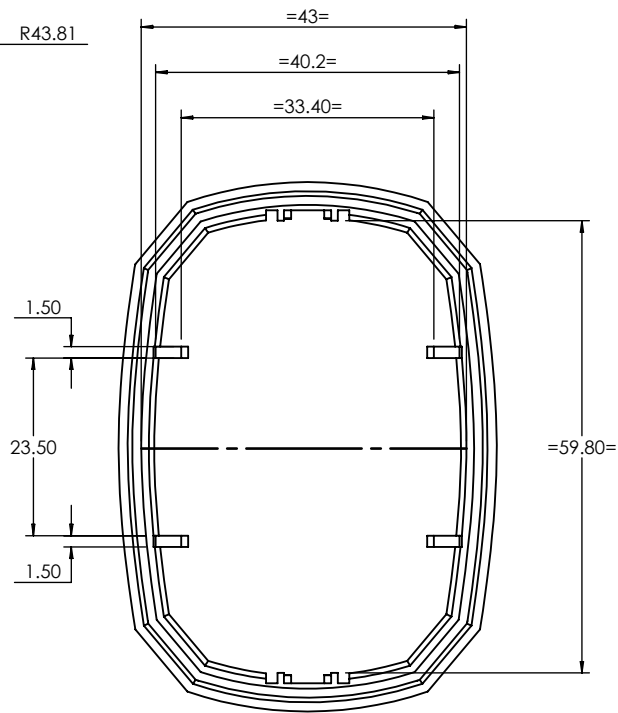
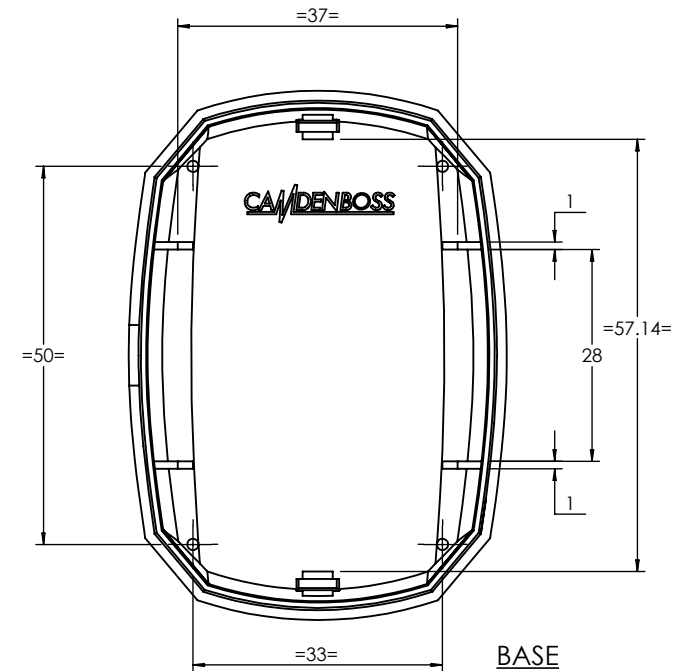


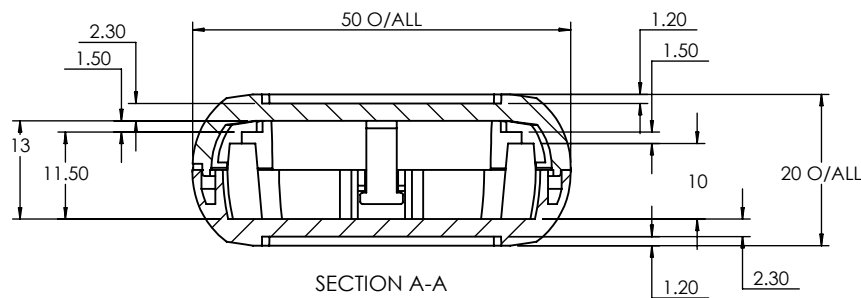
ASSEMBLY



TOP

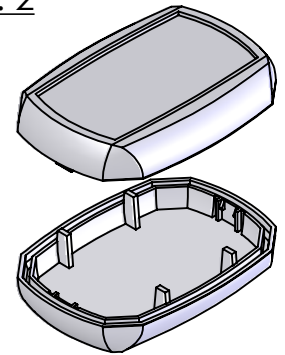




BASE



SECTION A-A

ISO VIEW  
1:2



 <b>CAMDENBOSS</b> JAMES CARTER RD, MILDENHALL, SUFFOLK. IP28 7DE TEL: 01638 716101 FAX: 01638 716554 EMAIL: Sales@CamdenBoss.com WEB: www.CamdenBoss.com		UNLESS OTHERWISE SPECIFIED: DIMENSIONS ARE IN MILLIMETERS		DO NOT SCALE DRAWING	REVISION. <input type="checkbox"/>
		GENERAL TOLERANCES +/- 0.2		TITLE: <b>GNL ASSEMBLY DRG FOR 62 SERIES</b>	
FINISH. FINE TEXTURE		MATERIAL. UL - 94 V0 ABS		DWG NO. <b>CHH623GRY</b>	
DRAWN	IAN PAGANO	SIGNED	I.P.	DATE	09/04/14
CHK'D	-	-	-	-	-
PROJECTION. 		SCALE: 1:2		SHEET 1 OF 1	

A4