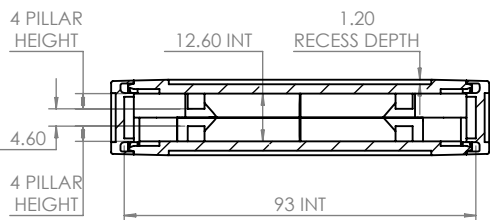
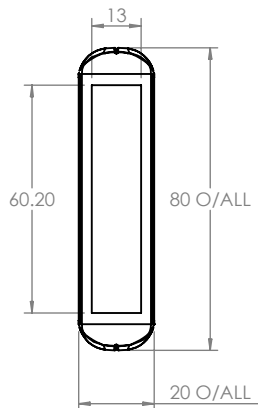
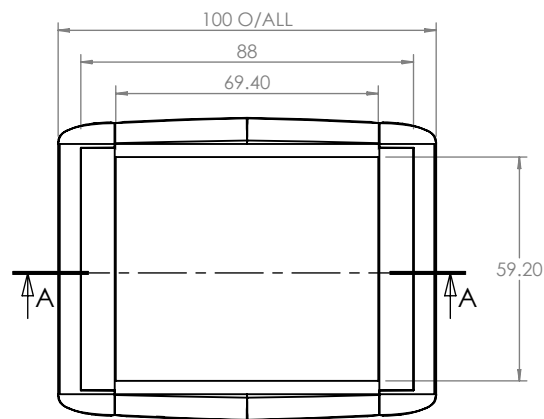


BASE

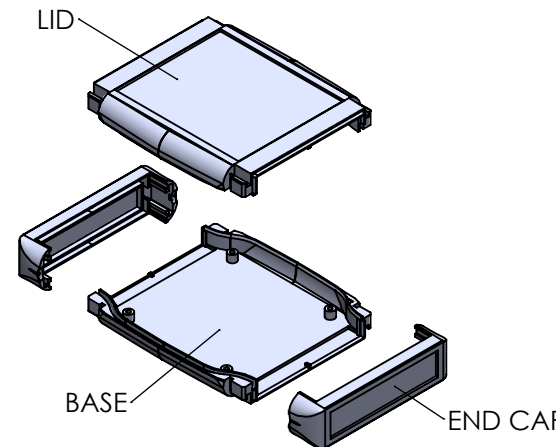
TOP



SECTION A-A

ASSEMBLY


**ISO VIEW
1:3**



END CAP SUPPLIED SEPERATELY

- CHH64E1OR
- CHH64E1GR
- CHH64E1YL
- CHH64E1BL
- CHH64E1RD
- CHH64E1DG
- CHH64E1BK



 CAMDENBOSS JAMES CARTER RD, MILDENHALL, SUFFOLK. IP28 7DE TEL: 01638 716101 FAX: 01638 716554 EMAIL: Sales@CamdenBoss.com WEB: www.CamdenBoss.com		UNLESS OTHERWISE SPECIFIED: DIMENSIONS ARE IN MILLIMETERS	DO NOT SCALE DRAWING	REVISION. 0
		GENERAL TOLERANCES +/- 0.2	TITLE: GENERAL ASSEMBLY DRAWING FOR 64 SERIES	
		FINISH: LIGHT SPARK	DWG NO. CHH641NBK	A4
DRAWN	JAMIE JACOBS	SIGNED	JNJ	DATE
CHK'D	-	-	-	DATE
		MATERIAL: UL94-V0 ABS BLACK	SCALE: 1 : 2	SHEET 1 OF 1
		PROJECTION. 