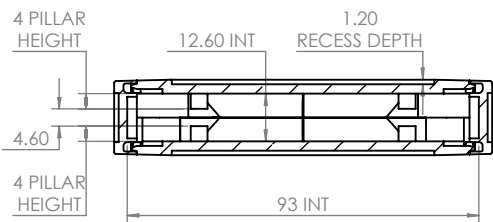
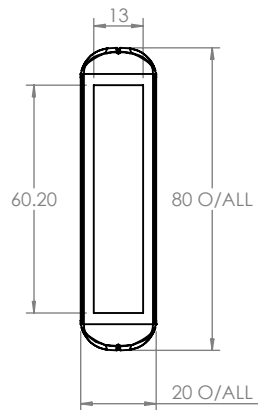
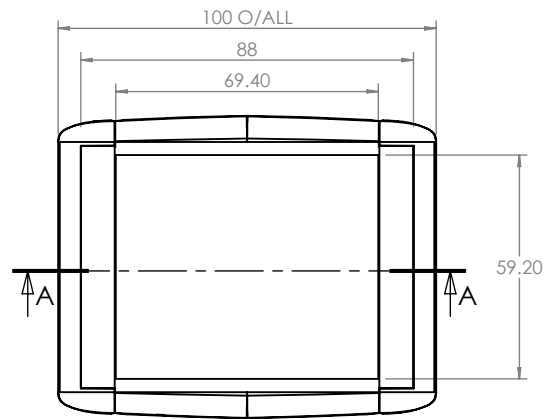


BASE

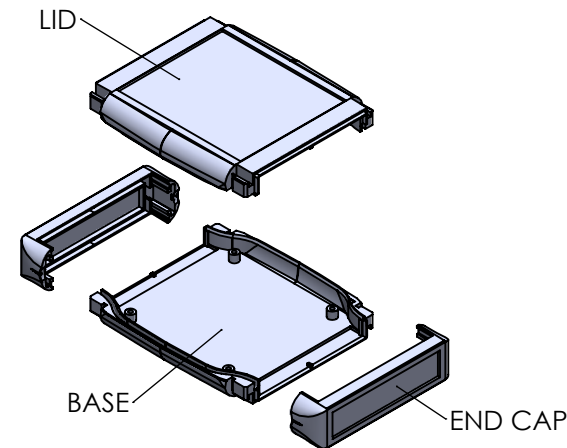
TOP



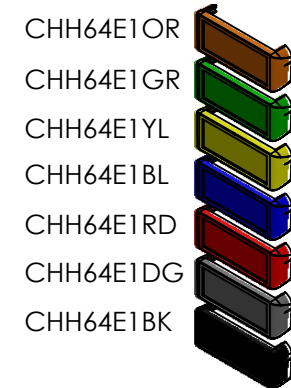
SECTION A-A


ASSEMBLY

ISO VIEW
1:3



END CAP SUPPLIED SEPERATELY



 CAMDENBOSS JAMES CARTER RD, MILDENHALL, SUFFOLK. IP28 7DE TEL: 01638 716101 FAX: 01638 716554 EMAIL: Sales@CamdenBoss.com WEB: www.CamdenBoss.com		UNLESS OTHERWISE SPECIFIED: DIMENSIONS ARE IN MILLIMETERS	DO NOT SCALE DRAWING	REVISION. 0
		GENERAL TOLERANCES +/- 0.2	TITLE: GENERAL ASSEMBLY DRAWING FOR 64 SERIES	
		FINISH: LIGHT SPARK	DWG NO. CHH641NGY	
DRAWN	JAMIE JACOBS	SIGNED	JNJ	DATE
CHK'D	-	-	-	-
		MATERIAL: UL94-V0 ABS GREY	SCALE: 1 : 2	
		PROJECTION.	SHEET 1 OF 1	

A4