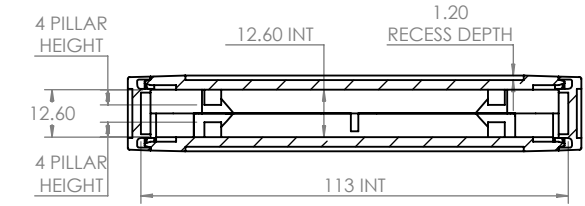
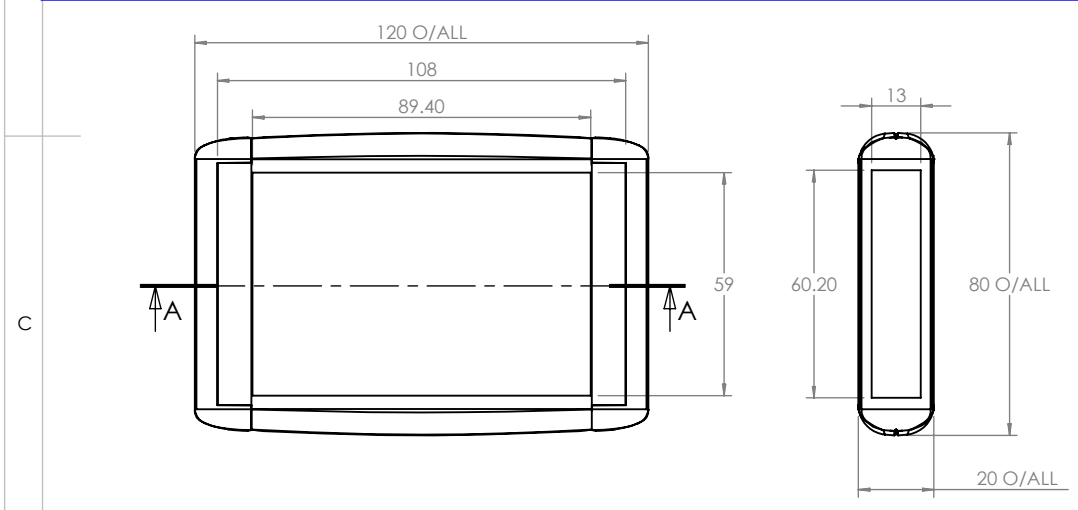


**BASE**

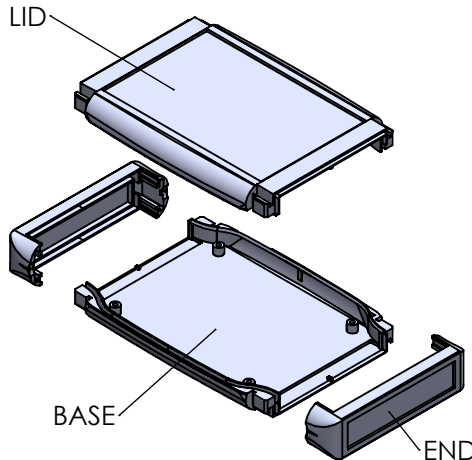
**TOP**



**ASSEMBLY**

SECTION A-A

**ISO VIEW**  
1:3



END CAP SUPPLIED SEPERATELY

- CHH64E1OR
- CHH64E1GR
- CHH64E1YL
- CHH64E1BL
- CHH64E1RD
- CHH64E1DG
- CHH64E1BK

<p><b>CAMDENBOSS</b> JAMES CARTER RD, MILDENHALL, SUFFOLK. IP28 7DE TEL: 01638 716101 FAX: 01638 716554 EMAIL: Sales@CamdenBoss.com WEB: www.CamdenBoss.com</p>		UNLESS OTHERWISE SPECIFIED: DIMENSIONS ARE IN MILLIMETERS	DO NOT SCALE DRAWING	REVISION. 0		
		GENERAL TOLERANCES +/- 0.2	TITLE: <b>GENERAL ASSEMBLY DRAWING FOR 64 SERIES</b>			
	NAME	SIGNED	DATE	MATERIAL. <b>UL94-V0 ABS GREY</b>	DWG NO. <b>CHH643NGY</b>	A4
DRAWN	JAMIE JACOBS	JNJ	24/06/13	PROJECTION.	SCALE. 1 : 2	
CHK'D	-	-	-			