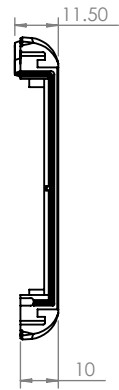
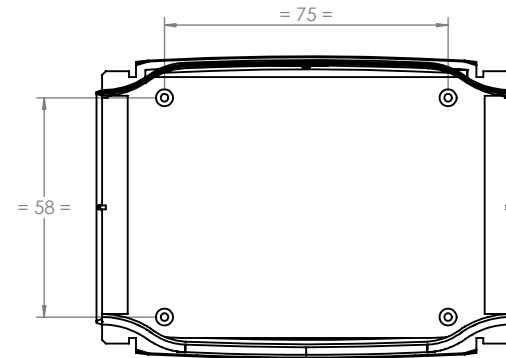
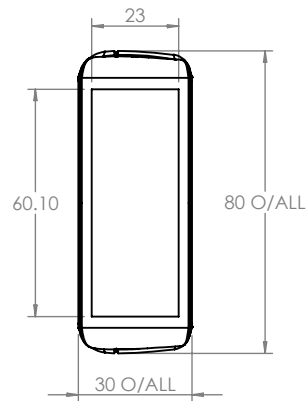
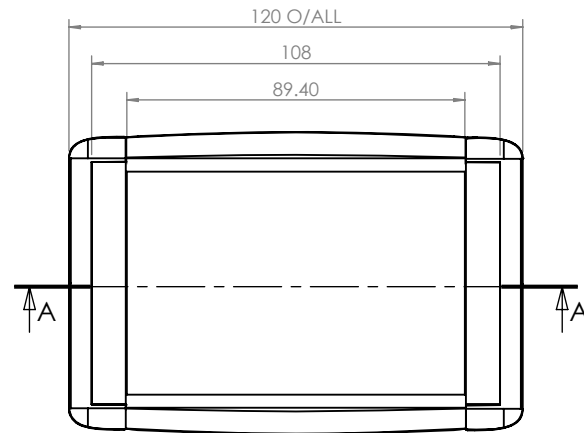


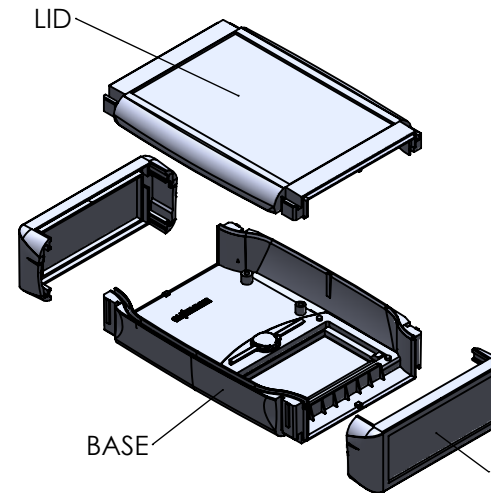
BASE



TOP

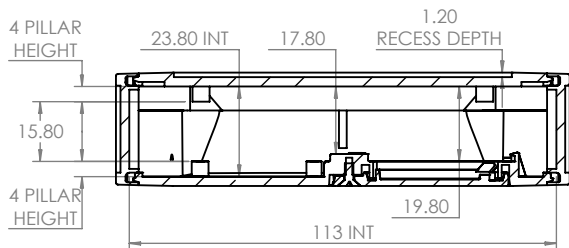


**ISO VIEW
1:3**



END CAP & BATTERY
COMPARTMENTS SUPPLIED
SEPERATELY

- CHH64E2OR
- CHH64E2GR
- CHH64E2YL
- CHH64E2BL
- CHH64E2RD
- CHH64E2DG
- CHH64E2BK



ASSEMBLY

SECTION A-A

<p>CAMDENBOSS JAMES CARTER RD, MILDENHALL, SUFFOLK. IP28 7DE TEL: 01638 716101 FAX: 01638 716554 EMAIL: Sales@CamdenBoss.com WEB: www.CamdenBoss.com</p>		UNLESS OTHERWISE SPECIFIED: DIMENSIONS ARE IN MILLIMETERS	DO NOT SCALE DRAWING	REVISION. 0			
		GENERAL TOLERANCES +/- 0.2	TITLE: GENERAL ASSEMBLY DRAWING FOR 64 SERIES				
	NAME	SIGNED	DATE	MATERIAL. UL94-V0 ABS BLACK	DWG NO.	CHH644BBK	A4
DRAWN	JAMIE JACOBS	JNJ	24/06/13	FINISH. LIGHT SPARK			
CHK'D	-	-	-	MATERIAL. UL94-V0 ABS BLACK	SCALE. 1 : 2	SHEET 1 OF 1	